

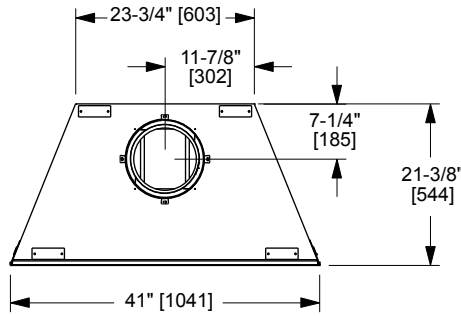


Please consult the manufacturer's installation manual for all details and requirements before making a final design layout decision.

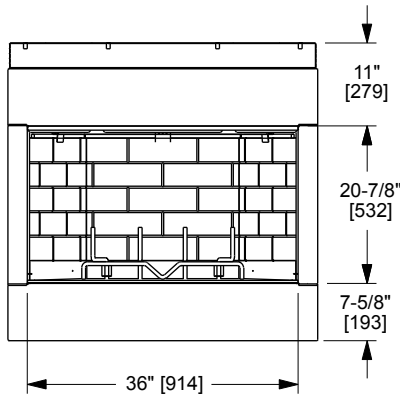
# Villawood 36

Outdoor Wood Fireplace

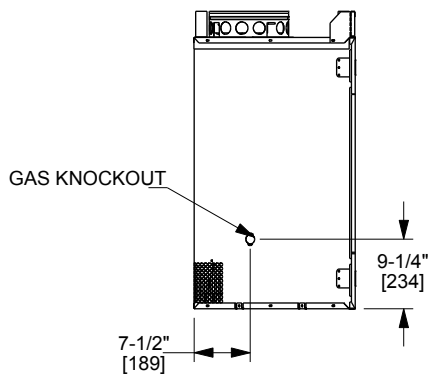
MODEL	FRONT WIDTH		BACK WIDTH		HEIGHT		DEPTH		VIEWING AREA
	Actual	Framing	Actual	Framing	Actual	Framing	Actual	Framing	
ODVILLA-36	41	42	23-3/4	42	39-1/2	39-3/4	21-3/8	21-1/2	36 x 20-7/8



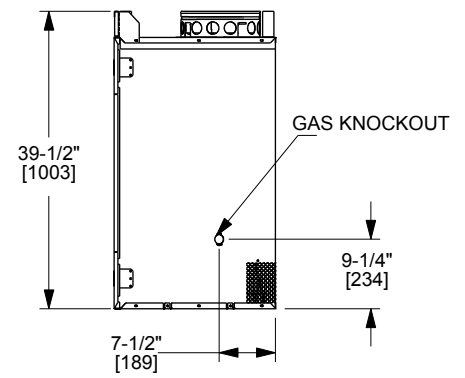
Top View



Front View

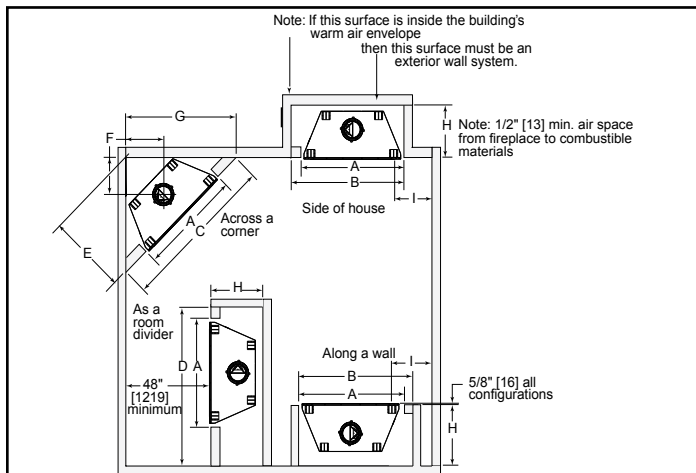


Left View



Right View

**APPLIANCE LOCATION**

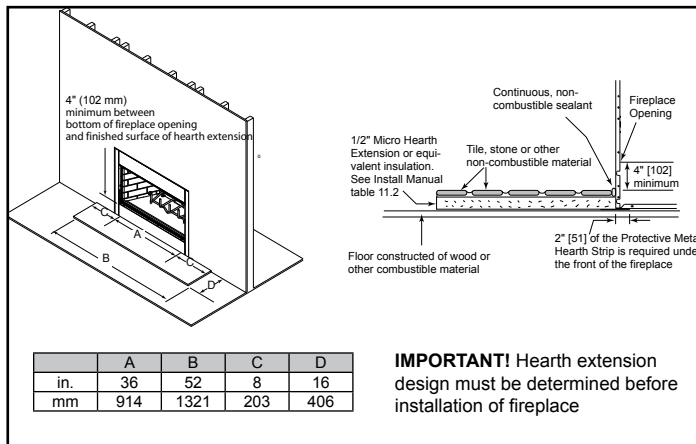


Note: Measurements are FRAMING dimensions only and do not include drywall either in the cavity or on the walls

	A	B	C	D	E	F	G	H	I
in.	42	50	67-7/8	59-1/2	34	14	48	21-1/2	*See
mm	1067	1270	1724	1511	864	356	1219	549	Note

\* I = 12" [305] minimum from fireplace opening to any perpendicular wall

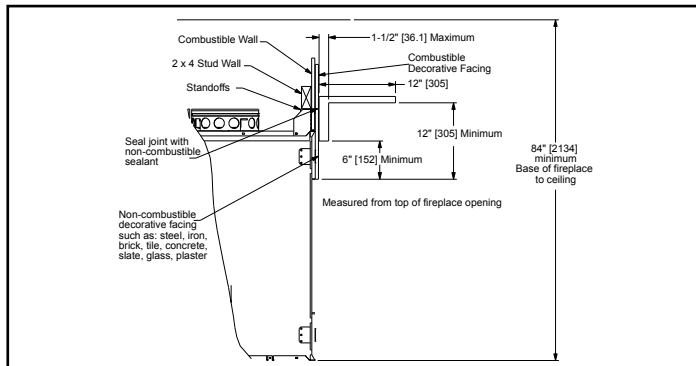
**HEARTH EXTENSION**



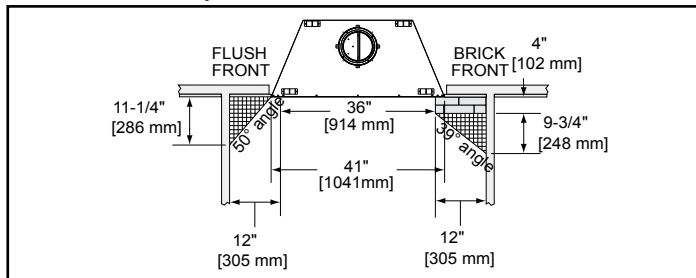
	A	B	C	D
in.	36	52	8	16
mm	914	1321	203	406

**IMPORTANT!** Hearth extension design must be determined before installation of fireplace

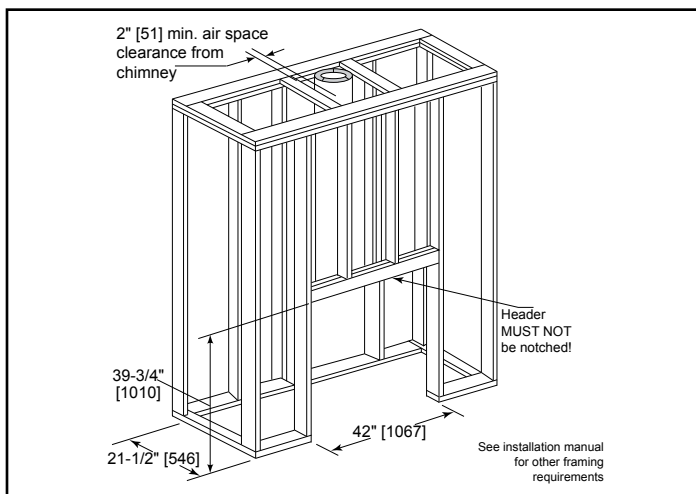
**MANTEL PROJECTIONS**



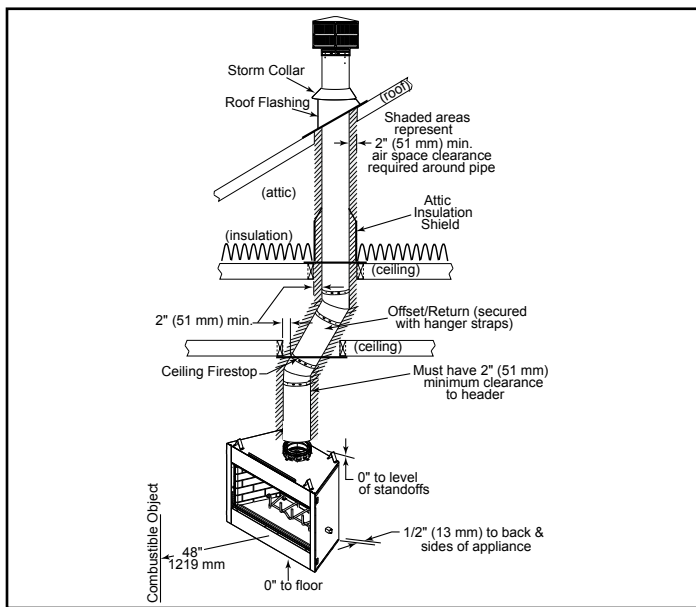
**MANTEL LEG/WALL PROJECTIONS**



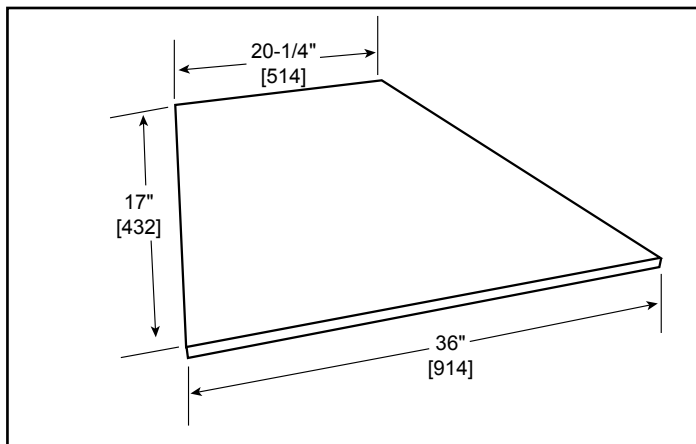
**FRAMING DIMENSIONS**



**CLEARANCES TO COMBUSTIBLES**



**HEARTH DIMENSIONS**



PRODUCT LISTING CODES	
	UL127

Product information provided is not complete and is subject to change without notice. Product installation must adhere strictly to instructions accompanying product to avoid risk of fire and potential injury.

Additional information can be found online at [www.fireplaces.com](http://www.fireplaces.com)