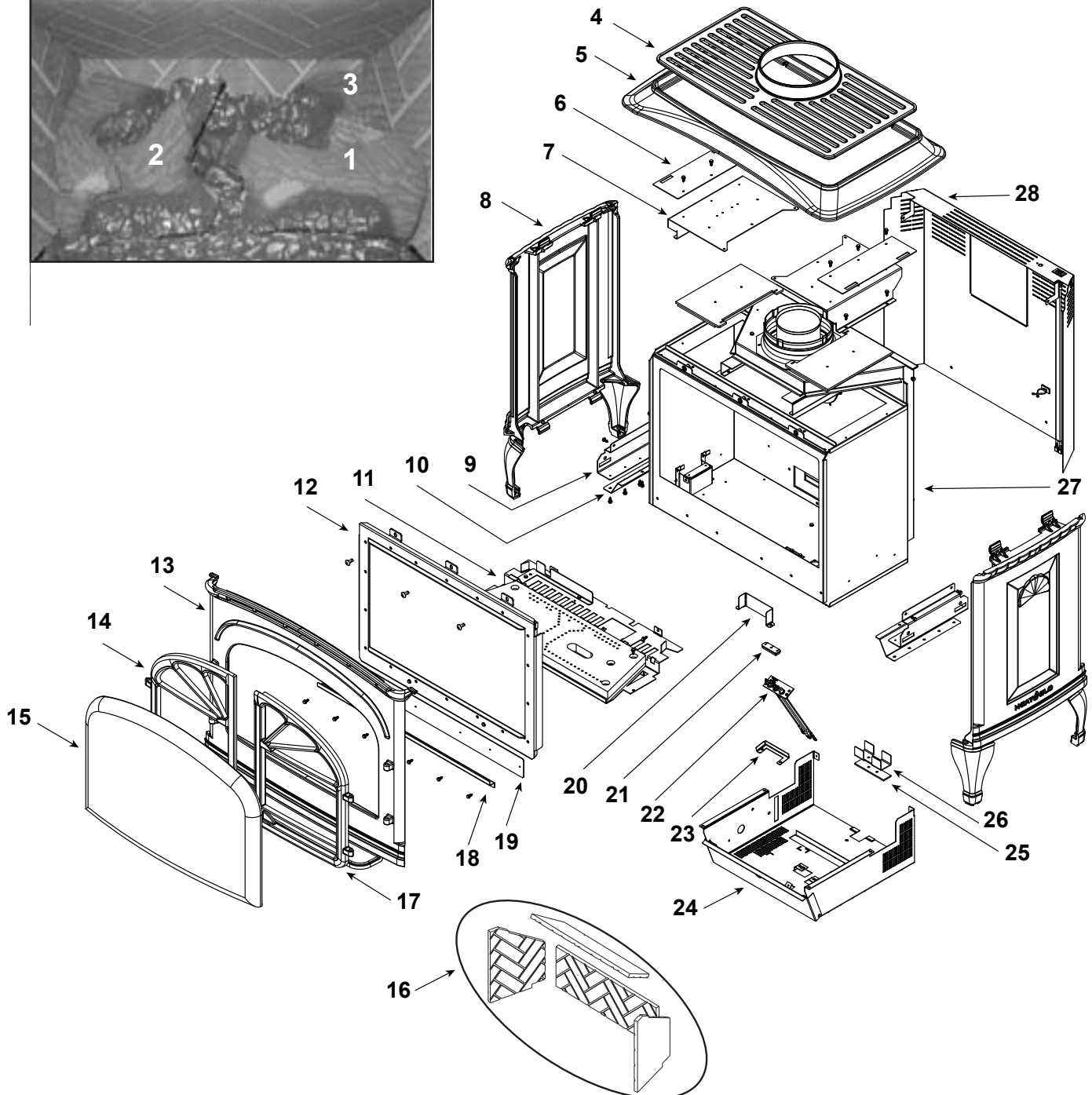
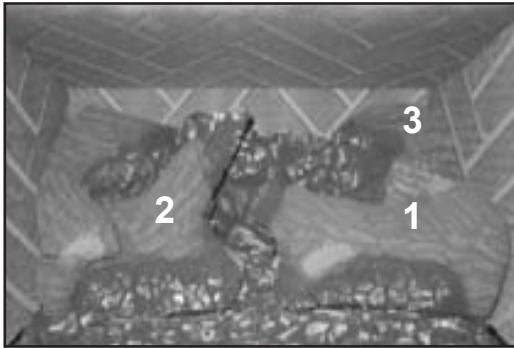


## TIARII-CES-IP1, TIARII-BR-IP1, TIARII-BK-IP1

### Log Set Assembly



Part number list on following page.

No one builds a better fire

Beginning Manufacturing Date: July 2014  
Ending Manufacturing Date: Active

IMPORTANT: THIS IS DATED INFORMATION. Parts must be ordered from a dealer or distributor. **Hearth and Home Technologies does not sell directly to consumers.** Provide model number and serial number when requesting service parts from your dealer or distributor.



Stocked  
at Depot

ITEM	DESCRIPTION	COMMENTS:	PART NUMBER	Stocked at Depot
	Log Set Assembly		LOGS-T2	Y
1	Log #1	Right Front	7011-145	
2	Log #2	Left Front	7011-146	
3	Log #3	Rear	7011-147	
4	Grille, Top Vent		7011-109	
5	Top	Black	7011-105BK	
		Brown	7011-105PBR	
		Espresso	7011-105CES	
6	Bracket, Cast Mounting	Qty 2 req	2340-131	
7	Shroud, Upper Fan	Qty 2 req	2340-130	
8	Side	Black	7011-106BK	
		Brown	7011-106PBR	
		Espresso	7011-106CES	
9	Bracket, Bottom Mounting Outer	Qty 2 req	2340-108	
10	Bracket, Bottom Mounting Inner	Qty 2 req	2340-107	
11	Burner Assembly		2340-007	Y
12	Glass Assembly		GLA2340-019	Y
13	Cast, Front	Black	7011-107BK	
		Brown	7011-107PBR	
		Espresso	7011-107CES	
14	Door Assembly, Left	Black	7011-131BK	
		Brown	7011-131PBR	
		Espresso	7011-131CES	
15	Screen, Tiara II		7011-030	
16	Brick Set		BRICK-T2	
17	Door Assembly, Right	Black	7011-130BK	
		Brown	7011-130PBR	
		Espresso	7011-130CES	
18	Glass Frame Ledge		2340-101	
19	Plate, Support		2340-110	
20	Pilot Shield		2344-103	
21	Grommet		2118-420	
22	Pilot Assembly	NG	2090-012	Y
		LP	2090-013	Y
23	Bracket, Pilot Shield		2340-137	
24	Valve Assembly Tray		<b>See Following Page</b>	
25	Gasket, Air Shutter Bracket		2342-159	
26	Shutter Assembly		2342-154	

Additional service part numbers appear on following page.

No one builds a better fire

Beginning Manufacturing Date: July 2014  
Ending Manufacturing Date: Active

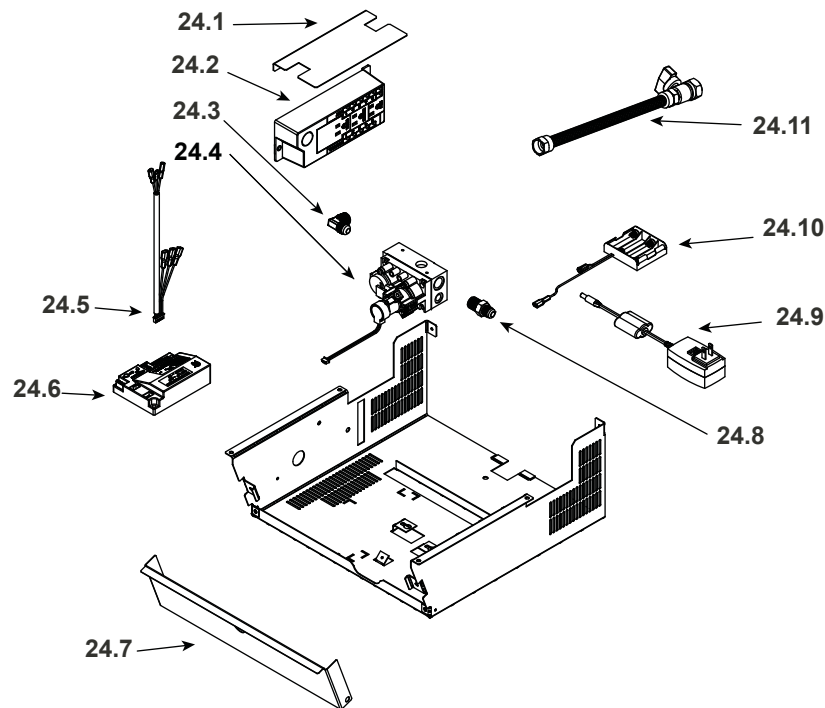
IMPORTANT: THIS IS DATED INFORMATION. Parts must be ordered from a dealer or distributor. **Hearth and Home Technologies does not sell directly to consumers.** Provide model number and serial number when requesting service parts from your dealer or distributor.



Stocked at Depot

ITEM	DESCRIPTION	COMMENTS:	PART NUMBER	
27	Firebox Assembly		See Following Page	
28	Fan Shroud Assembly		2340-021	
	Back Fan Shroud		2340-129	
	On/Off Rocker Switch		060-511	Y
	Wire Harness		3-20-2159315	Y

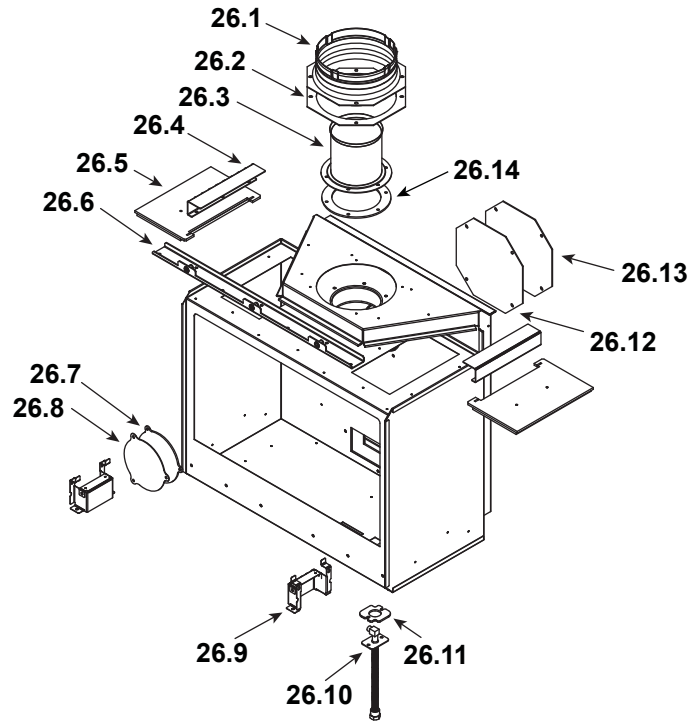
### #24 Valve Assembly Tray



24.1	Heat Shield, J-box		2342-132	
24.2	Junction Box		4021-013	Y
24.3	Elbow, 3/8" Flare Male		4021-045	
24.4	Valve, IPI	NG	2166-302	Y
		LP	2166-303	Y
24.5	Wire Harness		2166-304	Y
24.6	Module		2166-338	Y
24.7	Access Door		2342-112	
24.8	Male Connector	Pkg of 5	303-315/5	Y
24.9	Transformer, 6V		2326-131	Y
24.10	Battery Pack		2166-323	
24.11	Ball Valve Assembly, 24"		3-40-2098034	Y
	Blower Cord		832-2410	

Additional service part numbers appear on following page.

### #26 Firebox Assembly



IMPORTANT: THIS IS DATED INFORMATION. Parts must be ordered from a dealer or distributor. **Hearth and Home Technologies does not sell directly to consumers.** Provide model number and serial number when requesting service parts from your dealer or distributor.



Stocked  
at Depot

ITEM	DESCRIPTION	COMMENTS	PART NUMBER	
26.1	Starting Collar		2189-002	
26.2	Gasket, Adaptor		460-0610	
26.3	Flue Assembly		2340-025	
26.4	Relief Door Guide		2340-133	
26.5	Relief Door Assembly		2340-020	
26.6	Firebox Support		2340-115	
26.7	Gasket, Flue Cover		2340-135	
26.8	Flue Cover		2340-134	
26.9	Bracket, Burner Mounting		2342-110	
26.10	Bulkhead		7000-156	Y
26.11	Gasket, Burner Neck		2025-407	
26.12	Cover Plate		7010-159	
26.13	Gasket, Cover Plate		7010-160	
26.14	Gasket, Spacer		2340-203	

Additional service part numbers appear on following page.

No one builds a better fire

Beginning Manufacturing Date: July 2014  
Ending Manufacturing Date: Active

**IMPORTANT: THIS IS DATED INFORMATION.** Parts must be ordered from a dealer or distributor. **Hearth and Home Technologies does not sell directly to consumers.** Provide model number and serial number when requesting service parts from your dealer or distributor.



**Stocked  
at Depot**

ITEM	DESCRIPTION	COMMENTS:	PART NUMBER	
	Fan Kit		GFK-160A	
	Knob, Rheostat		100-512	Y
	Rheostat Assembly		100-510A	Y
	Temp Sensor (Limit) w/Bracket		107-531A	Y
	Grill, Rear Vent		RV-T2-IPI	
	Hinge Pin, Button Head	Pkg of 2, Brushed Nickel	1-00-4331590	Y
		Pkg of 2, Gold	844-5750	Y
	Knob, Brass	Pre 008975568	3-43-02000	
	Knob, Satin Nickel	Post 008975568	3-43-02000-9	
	Leveling Assembly		7000-000	
	Magnet, Round		SRV7000-140	Y
	Mineral Wool		050-721	
	Orifice, (NG) #32	Top Vent	582-832	Y
	Orifice, (LP) #50	Top Vent	582-850	Y
	Orifice, (NG) #33	Rear Vent	582-833	Y
	Orifice, (LP) #54	Rear Vent	582-854	Y
	Touch-Up Paint, Black	Pre 008975001	812-0910	
		Post 008975001	3-42-19905	
	Touch-Up Paint	Brown	210-0710	
		Espresso	TOUCHUP-CES	
	Warming Shelf	Black	WS-TIARA-BK	
		Brown	WS-TIARA-BR	
		Espresso	WS-TIARA-CES	
	Warming Shelf Support	Black	7010-129BK	
		Brown	7010-129PBR	
		Espresso	7010-129CES	
<b>Conversion Kits</b>				
	Conversion Kit NG		NGKI-TIARA2	Y
	Conversion Kit LP		LPKI-TIARA2	Y
	Pilot Orifice NG		593-528	Y
	Pilot Orifice LP		593-527	Y
	Regulator NG		NGK-DXV-50	Y
	Regulator LP		LPK-DXV-50	Y