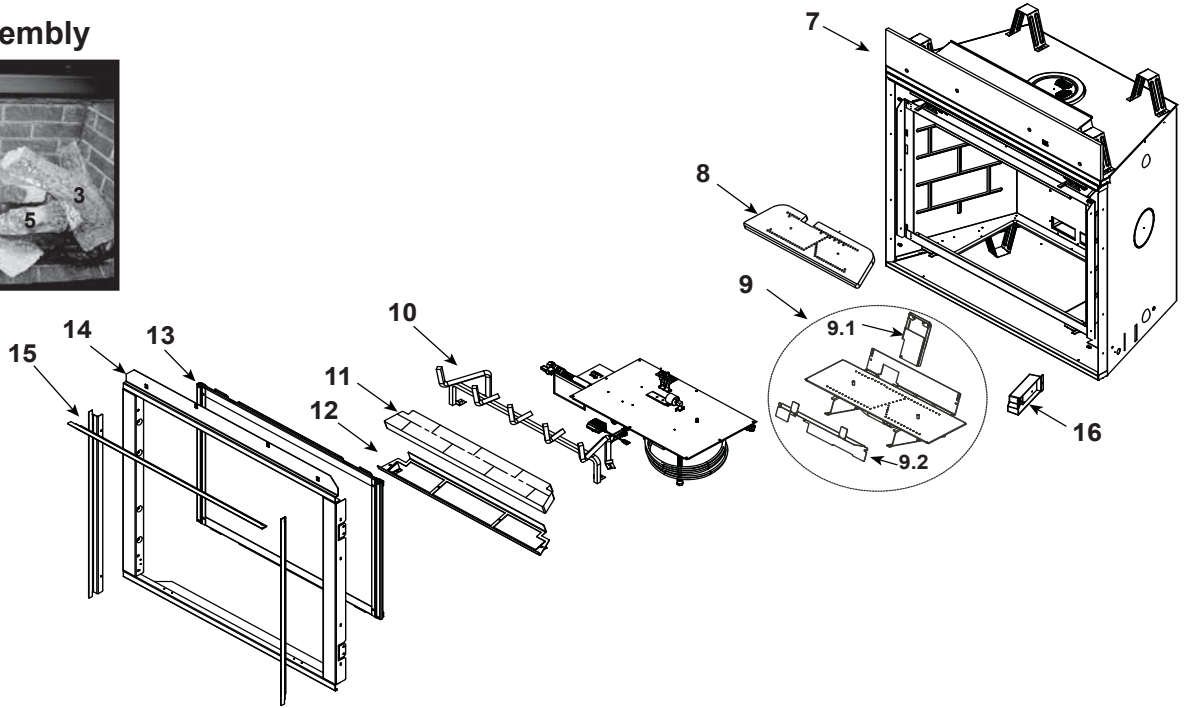


Log Set Assembly



IMPORTANT: THIS IS DATED INFORMATION. Parts must be ordered from a dealer or distributor. **Hearth and Home Technologies does not sell directly to consumers.** Provide model number and serial number when requesting service parts from your dealer or distributor.



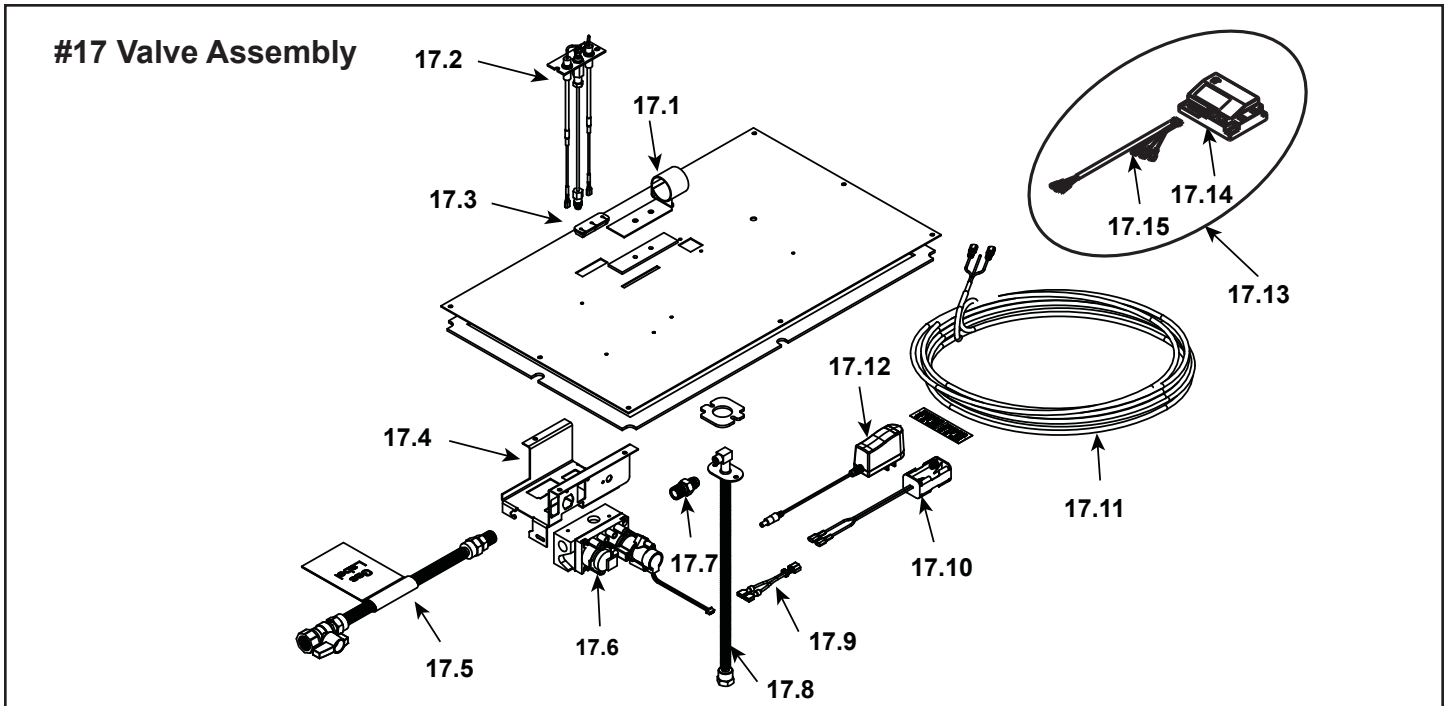
Stocked at Depot

ITEM	DESCRIPTION	COMMENTS	PART NUMBER	
	Log Set Assembly		LOGS-8C	Y
1	Log 1	No longer available, Must order complete assembly	SRV2168-701	
2	Log 2		SRV2168-702	
3	Log 3		SRV2168-703	
4	Log 4		SRV2168-704	
5	Log 5		SRV2168-705	
6	Log 6		SRV2168-706	
7	Insulation Board		2170-136	
8	Burner Top		SRV2170-100	Y
9	Burner NG		2168-007	Y
	Burner LP		2168-008	Y
9.1	Air Scoop		2170-188	
9.2	Pilot Cover		2170-181	
10	Log Grate		2170-104	
11	Base Refractory		SRV8BASE-STRAT	
12	Refractory Basket		2170-108	
13	Glass Door Assembly		GLA-950TR	Y
14	Surround Assembly		2170-019	
15	Finishing Strips (Sold as kit only)		SRVFS-8	
16	Junction Box		4021-013	Y

No one builds a better fire

Beginning Manufacturing Date: Aug 2009

Ending Manufacturing Date: Active



IMPORTANT: THIS IS DATED INFORMATION. Parts must be ordered from a dealer or distributor. **Hearth and Home Technologies does not sell directly to consumers.** Provide model number and serial number when requesting service parts from your dealer or distributor.



Stocked at Depot

ITEM	DESCRIPTION	COMMENTS	PART NUMBER	Stocked at Depot
17.1	Shutter Bracket Assembly		2166-157	Y
17.2	Pilot Assembly NG		2166-370	Y
	Pilot Assembly LP		2166-371	Y
	Pilot Tube		SRV485-301	Y
17.3	3-hole Grommet		2118-420	
17.4	Valve Bracket		2118-104	
17.5	Flex Ball Valve Assembly		302-320A	Y
17.6	Valve NG		2166-302	Y
	Valve LP		2166-303	Y
17.7	Male Connector	Pkg of 5	303-315/5	Y
17.8	Bulkhead W/Tube		2166-119	Y
17.9	Jumper Wire		2187-198	Y
17.10	Battery Pack **		2166-323	Y
17.11	Thermostat Wire Assembly		2118-170	Y
17.12	Transformer		2166-305	Y
17.13	Control Assembly		SRV2164-030	Y
17.14	Module		2166-307	Y
17.15	Wire Harness		2166-304	Y
	Burner Orifice NG (#33C)		582-833	Y
	Burner Orifice LP (#50C)		582-850	Y

**Fuse for battery pack can be sourced locally, not a warranty item. Specs are 250v, 1A fuse, 3/4" long

Additional service part numbers appear on following page.

