



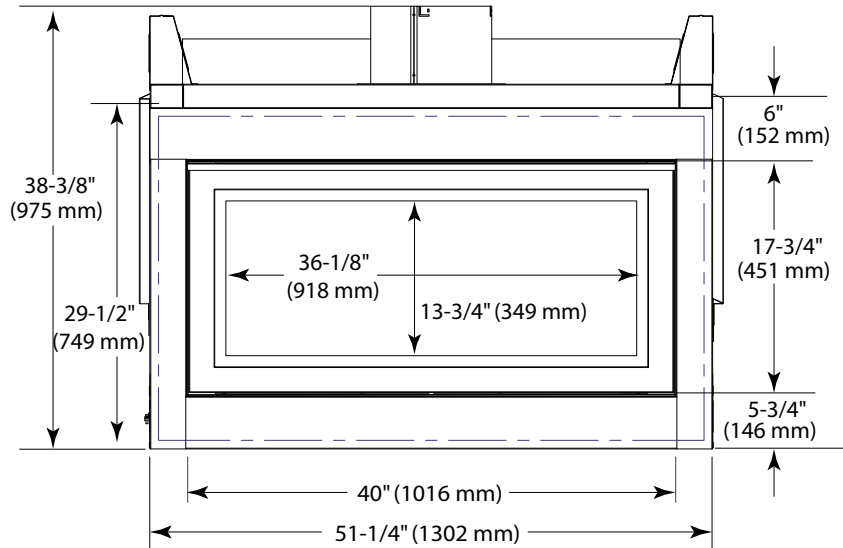
Please consult the manufacturer's installation manual for all details and requirements before making a final design layout decision.

# Mezzanine

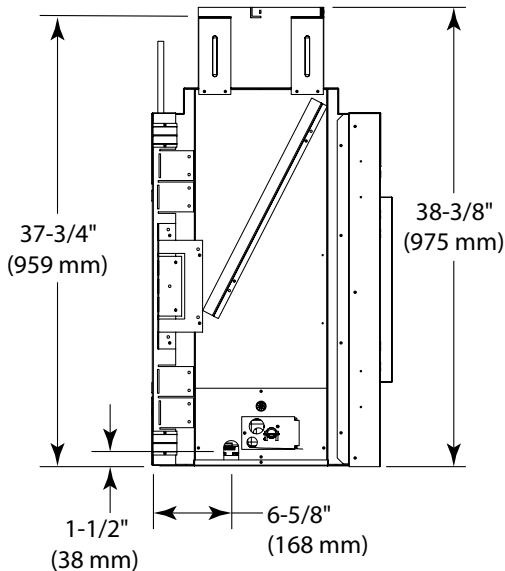
Indoor/Outdoor Gas Fireplace

MODEL	FRONT WIDTH		BACK WIDTH		HEIGHT		DEPTH		GLASS SIZE [918 x 349]	BTU/HR INPUT 34,000
	Actual	Framing	Actual	Framing	Actual	Framing	Actual	Framing		
MEZZANINE	51-1/4" [1302]	51-3/4" [1314]	51-1/4" [1302]	51-3/4" [1314]	38-3/8" [975]	38-1/2" [978]	19-3/8" [493]	18-1/8" [460]		

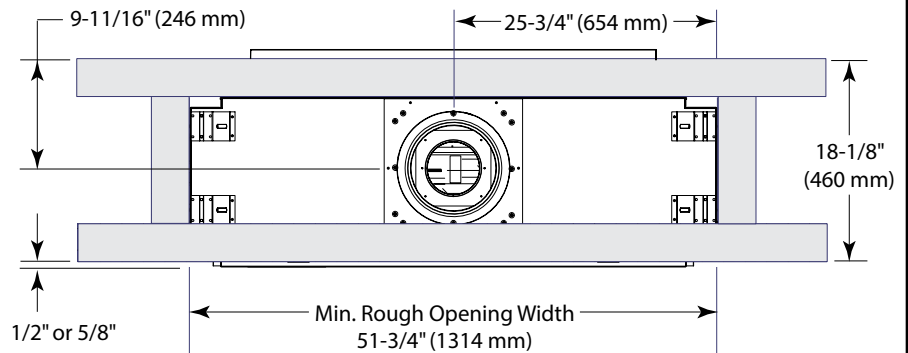
Front View



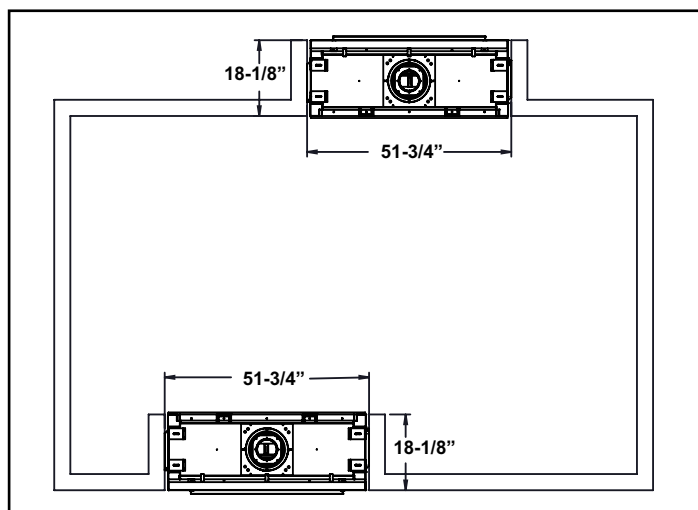
Side View



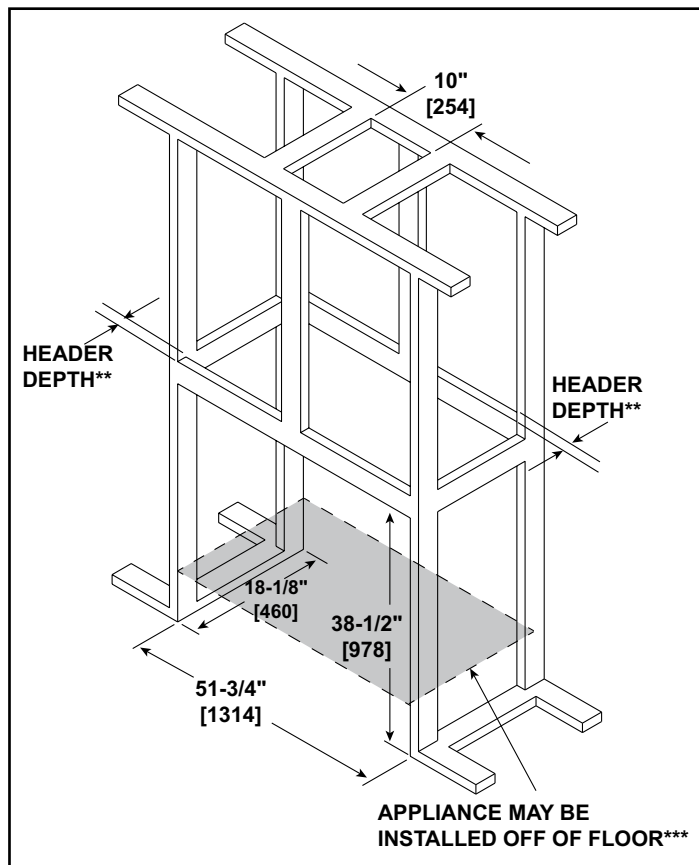
Top View



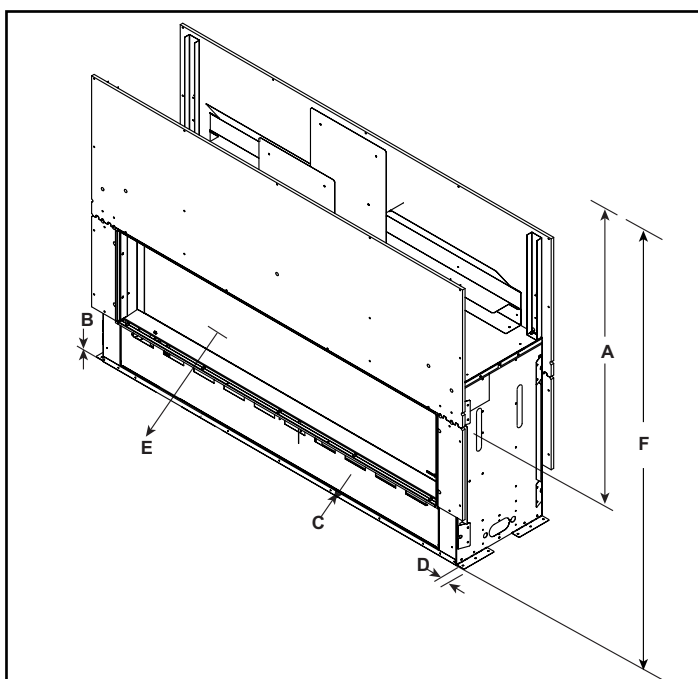
APPLIANCE LOCATION



FRAMING DIMENSIONS



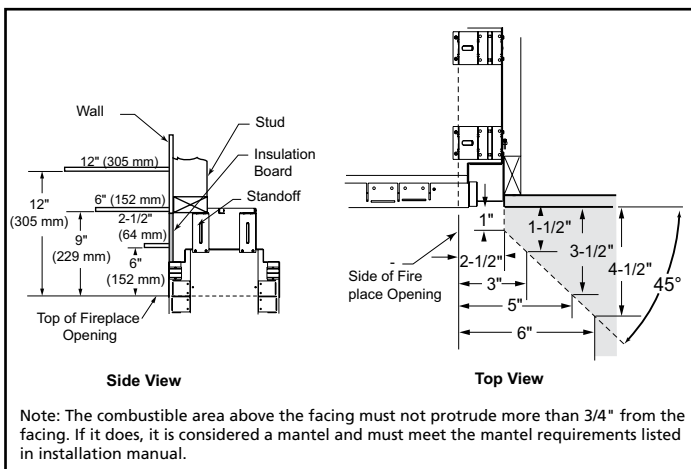
CLEARANCES TO COMBUSTIBLES



A	B	C	D	E	F
Clearance to Ceiling	Combustible Floor	Combustible Flooring	Sides of Appliance	Front or Rear of Appliance	Clearance to Ceiling
44-1/2" (1130)	0" (0)	0" (0)	1" (25)	48" (1218)	68" (1727)

\*The appliance cannot be installed on a carpet, tile or other combustible material other than wood flooring. If installed on carpet or vinyl flooring, the appliance shall be installed on a metal, wood or noncombustible material panel extending the full width and depth of the appliance.

MANTEL PROJECTIONS



PRODUCT LISTING CODES	
US	ANSI Z21.50-2014
CAN	CSA 2.22-2014

Product information provided is not complete and is subject to change without notice. Product installation must adhere strictly to instructions accompanying product to avoid risk of fire and potential injury.

Additional information can be found online at [www.fireplaces.com](http://www.fireplaces.com)