



ISO KERN

MAXIMUS
Direct Vent Gas Fireplace



First-Ever MASONRY DIRECT VENT *Fireplace*

MAXIMUS, the first ever masonry direct vent gas fireplace, connects you with the beautiful, captivating, power of fire — in the comfort of your home. Offering an expansive ceramic glass opening with Invisi-Barrier and Triple Stadium Burner for exceptional appearance and flame presentation. With an array of options, the MAXIMUS provides endless possibilities for making your space warm and inviting.

Insight into our technology



Extracted from Iceland's Mt. Hekla volcano, Isokern products are made from the cleanest, purest pumice. Our masonry components cradle the raw power of fire in the safest, most energy-efficient material on earth. Totally customizable, Isokern allows architects and their clients to pursue their most inspired designs, while connecting with the natural beauty of fire in a way that, until now, only nature could.

Featured: MAXIMUS 48" featuring Laurel Oak log set and Ebony firebrick.

It's ALL IN THE Details

No detail was overlooked in the design of the MAXIMUS Direct Vent Gas Fireplace. From the clarity of the polished ceramic glass door to hand laid firebrick, we have elevated the Direct Vent fireplace segment to a new level.

Proflame II Remote

The Proflame II remote with illuminated controls, six flame setting and manual on/off gives you precise control for your MAXIMUS fireplace.

It also includes a child-safety lock-out feature with low-battery alarm.



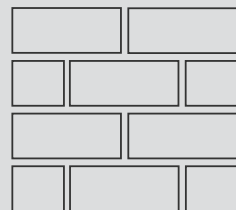
Custom
BUILT



TO SUIT
Your Style

For True CRAFTSMANSHIP HAND LAID *Firebrick*

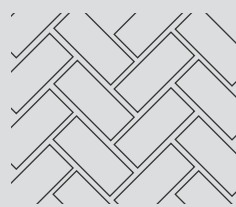
Choose from an array of firebrick options that will suit any interior decor. Shown below are examples of the most distinctive patterns that deliver the true craftsmanship quality to all Isokern products.



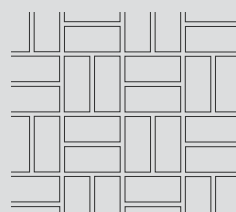
Running Bond



Stack Bond



Herringbone



Basket Weave

Firebrick Sizes:
Full - 9" x 4½" x 2½"
Split - 9" x 4½" x 1¼"
Soap - 9" x 2" x 1¼"

Highly DETAILED LOG SET *Selection*

The Triple Stadium Burner offers the unique feature of an additional row of flames behind the refractory logs. The result is a beautifully designed flame presentation to envelop your highly detailed log set of choice.



Coastal Oak



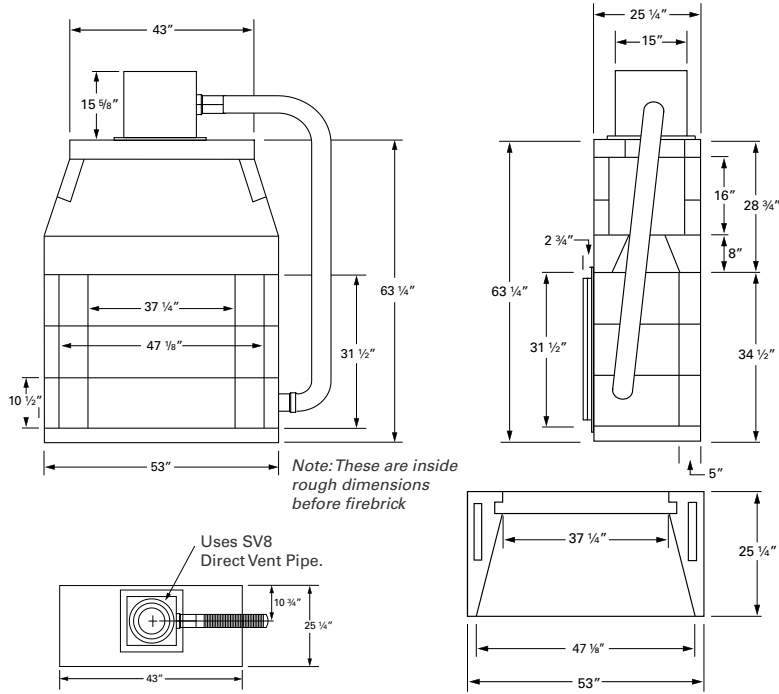
Engelmann Oak



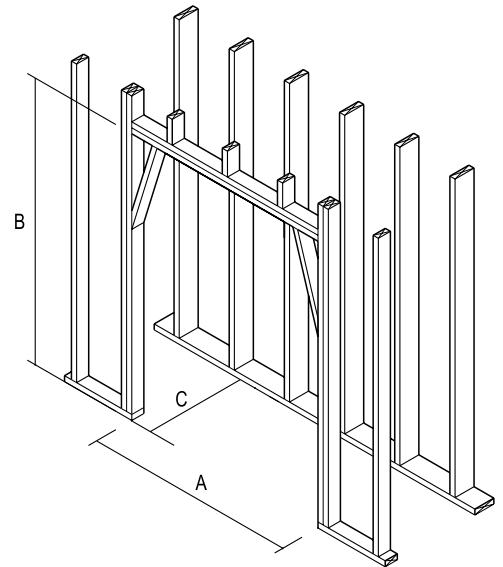
Laurel Oak



MAXIMUS 46"

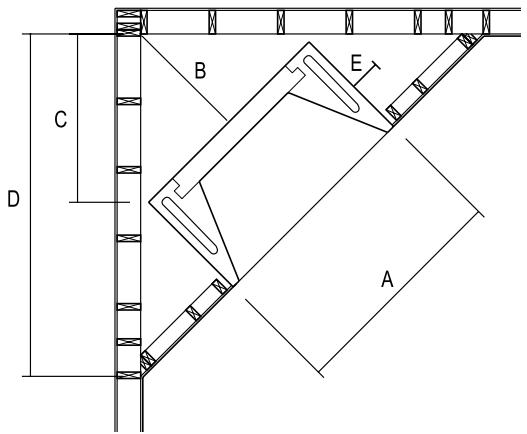
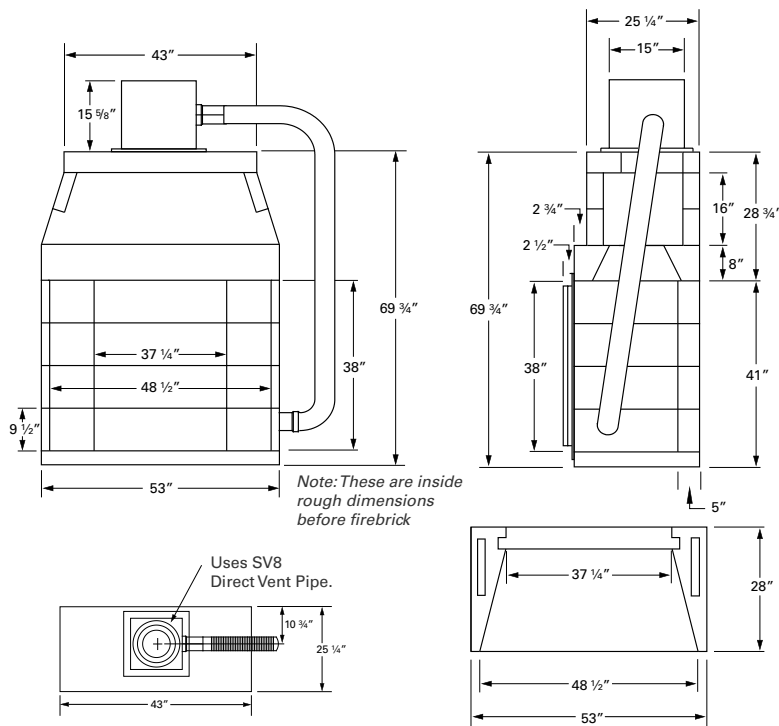


Framing Dimensions



MAXIMUS	A	B	C
MODEL 46	56"	65"	26 3/4"
MODEL 48	56"	71"	29 1/2"

MAXIMUS 48"



MAXIMUS	A	B	C	D	E
MODEL 46	53"	25 3/4"	39"	79"	12"
MODEL 48	53"	28 1/2"	39"	85 3/4"	12"

IMPORTANT NOTES: As with any heating appliance, fireplace or stove, this appliance is extremely hot during operation. Read and understand all operating instructions before using this appliance. For further information, consult your dealer. Local conditions, such as elevation, wind, vent configuration and choice of fuel will affect overall appearance of the fire and heating performance. Performance can also vary with home design and insulation, climate, condition and type of fuel used, appliance location, burn rate, accessories chosen, chimney installation and how the appliance is operated.

Diagrams, illustrations and photographs are not to scale - consult installation instructions. Product designs, materials, dimensions, specifications, colors and prices are subject to change or discontinue without notice.

Fireplace Efficiencies

MAXIMUS	FUEL	BTU/HR
MODEL 46	NG	32,000/52,000
MODEL 48	NG	32,000/52,000
MODEL 46	LP	31,000/51,000
MODEL 48	LP	31,000/51,000



©2016 Earthcore Industries, LLC
MKG1001 0616



Visit us online earthcore.co



Tested & Listed to ANSI Z21.50