

SEE-THROUGH OR SP

LEAVE INSTRUCTIONS WITH THE HOMEOWNER.

CERAMIC FIBER LINER	
Model	Description
DVP40PSWH	White Wash Herringbone
DVP40PSFB	Cracked Red Fire Brick
DVP40PSWS	Old World Stone
DVP40PSTS	Traditional Stone
DVP40PSKR	Black Reflective

CARTON CONTENTS	
Description	Quantity Supplied
Liner Side - Left	1
Liner Side - Right	1
Liner Top	1
Bracket Liner	2
#10 X 1/2 Screw	6

Tools Needed: Phillips Screw Driver

1. Remove barrier screen and glass door.
(See the owner's manual for instructions)
2. Place the RIGHT and LEFT LINERS as (Shown In Figure 1).

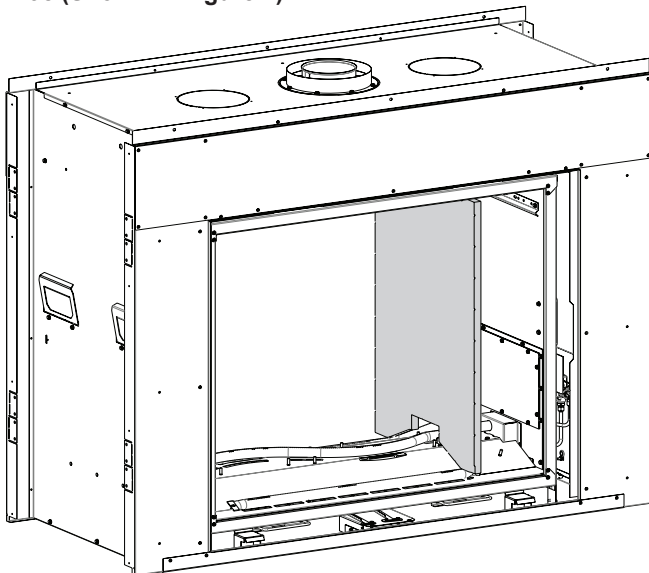


Figure 1

3. Secure one LINER BRACKET with (3) screws, then place LINER TOP (smooth side down) so it rests on the LINER BRACKET. Then install second LINER BRACKET with (3) screws. (See Figures 2 and 3.)

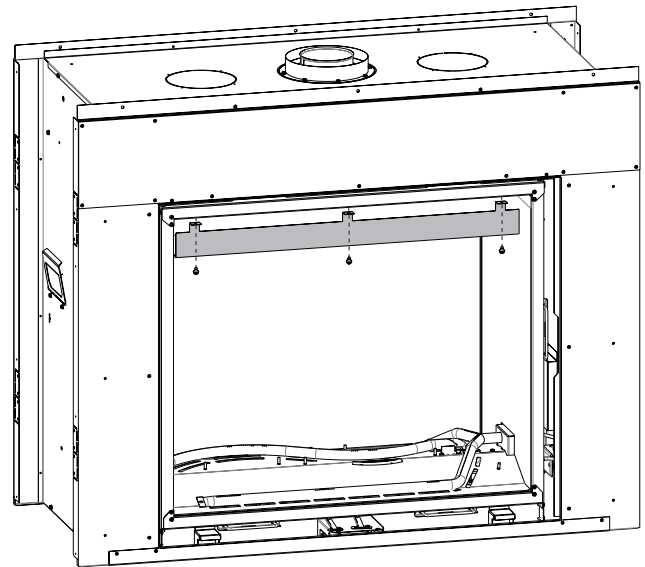


Figure 2

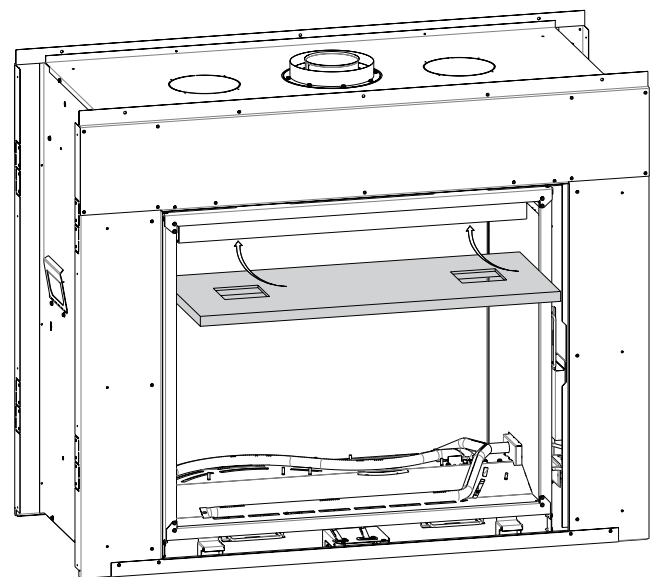
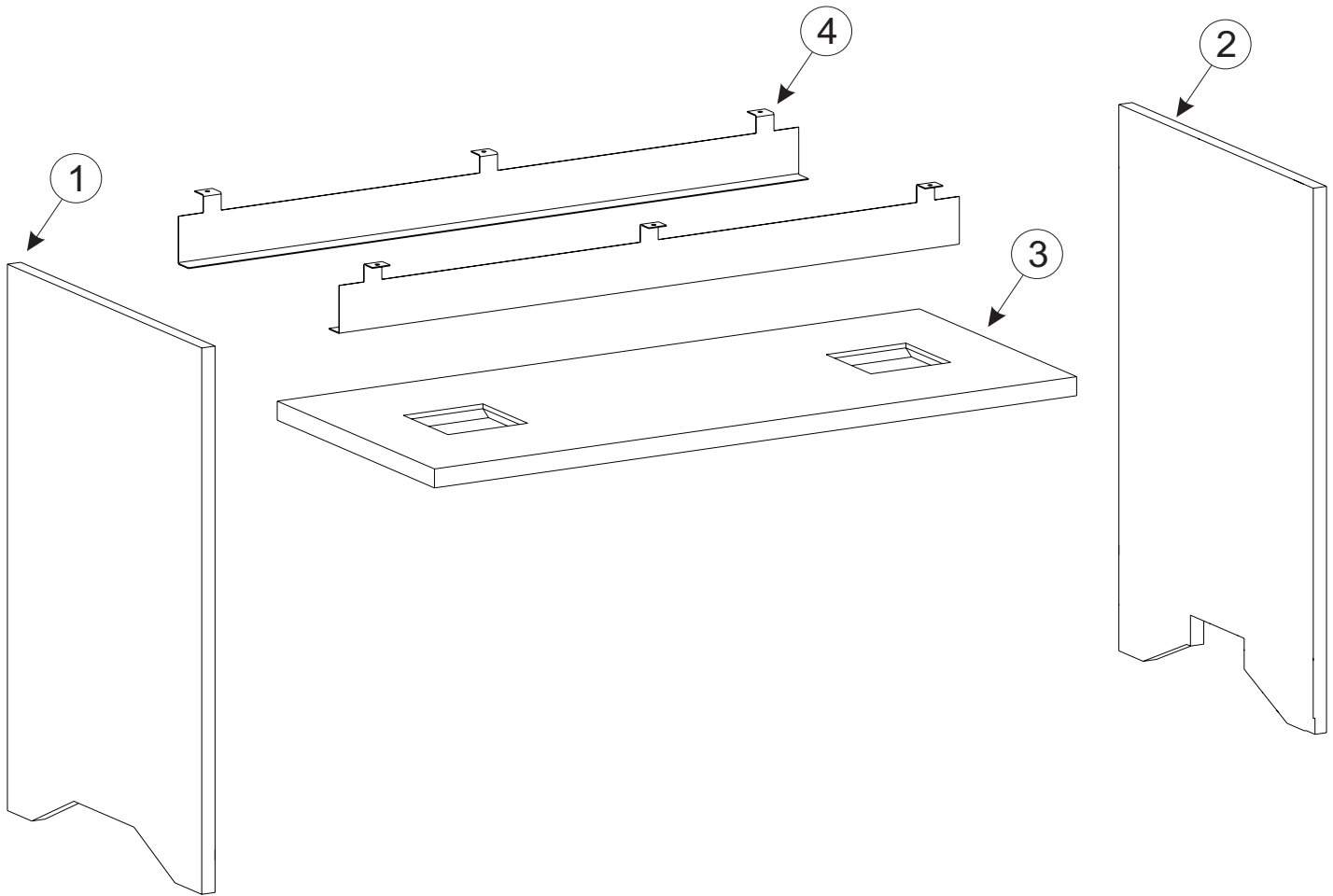


Figure 3

NOTICE: Video of liner installation available on our website at:
www.empirecomfort.com.

CERAMIC FIBER LINER KIT EXPLODED VIEW AND PARTS LIST



ITEM NUMBER	DISCRIPTION	PART NUMBERS				
		DVP40PSWH	DVP40PSFB	DVP40PSWS	DVP40PSTS	DVP40PSKR
1	Left Liner	40836	40851	40847	40843	40688
2	Right Liner	40837	40852	40848	40844	40687
3	Top Liner	40838	40838	40838	40838	40838
4	Bracket, Liner (2)	40629	40629	40629	40629	40629



SINCE 1932

www.empirecomfort.com

Empire Comfort Systems Inc.
Belleville, IL

If you have a general question about our products, please e-mail us at info@empirecomfort.com.

If you have a service or repair question, please contact your dealer.