

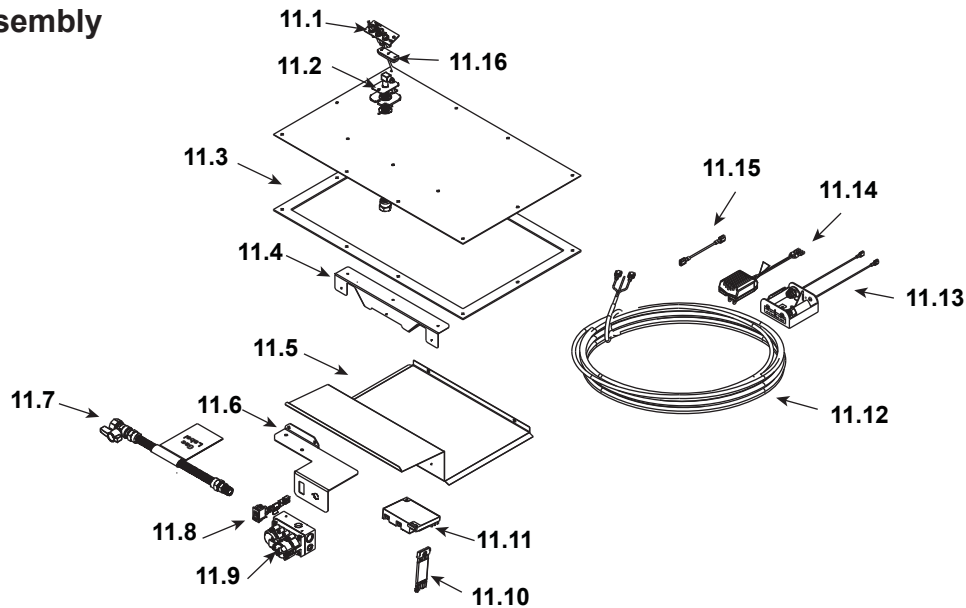
IMPORTANT: THIS IS DATED INFORMATION. Parts must be ordered from a dealer or distributor. **Hearth and Home Technologies does not sell directly to consumers.** Provide model number and serial number when requesting service parts from your dealer or distributor.



**Stocked  
in Depot**

ITEM	DESCRIPTION	COMMENTS	PART NUMBER	
1	Mesh Assembly		MESH-TWI-EXT	Y
2	Outdoor Glass Assembly		GLA-OUTDOOR2	
3	Pilot Shield		2290-109	
4	Burner Assembly		2290-007	Y
5	Firebox Bracket	Qty 2 req	2290-123	
6	Glass Clip	Qty 2 req	2087-121	
7	Indoor Glass Assembly		GLA-6TROC	Y
8	Base Pan Assembly		2290-015	
9	Junction Box		4021-013	Y
10	Junction Box Shield		2087-149	

**#11 Valve Assembly**



IMPORTANT: THIS IS DATED INFORMATION. Parts must be ordered from a dealer or distributor. **Hearth and Home Technologies does not sell directly to consumers.** Provide model number and serial number when requesting service parts from your dealer or distributor.



**Stocked  
in Depot**

ITEM	DESCRIPTION	COMMENTS	PART NUMBER	
11.1	Pilot Assembly NG		2090-012	Y
	Pilot Assembly LP		2090-013	Y
	Pilot Tube		SRV485-301	Y
11.2	12" Flex Tube Assembly		383-302A	Y
11.3	Valve Plate Gasket		2087-112	
11.4	Valve L Bracket		674-168	
11.5	Valve Bracket		2087-117	
11.6	Valve Assembly Bracket		2087-116	
11.7	Flex Ball Valve Assembly		302-320A	Y
11.8	ON/OFF Rocker Switch Assembly		060-521A	Y
11.9	Valve NG		593-500	Y
	Valve LP		593-501	Y
11.10	Wire Assembly		593-590A	Y
11.11	Control Module		593-592	Y
11.12	Wall Switch Wire		2118-170	Y
11.13	Battery Pack		593-594A	Y
11.14	Power Supply		593-593A	Y
11.15	Jumper Wire		2155-033	Y
11.16	3-Hole Grommet		2118-420	
	Burner Orifice (NG) (#32C)		582-832	Y
	Burner Orifice (LP) (#50C)		582-850	Y

Additional service part numbers appear on following page.



**Service Parts**

**TWILIGHT-II-MOD**

Beginning Manufacturing Date: July 2012  
Ending Manufacturing Date: Jan 2015

IMPORTANT: THIS IS DATED INFORMATION. Parts must be ordered from a dealer or distributor. **Hearth and Home Technologies does not sell directly to consumers.** Provide model number and serial number when requesting service parts from your dealer or distributor.



**Stocked  
in Depot**

ITEM	DESCRIPTION	COMMENTS	PART NUMBER	
	Black Rock, 5 Lb Bag	Qty 4 req	2188-850	
	Drain Pan		2087-118	
	Glass Latch Assembly	Pkg of 2	33858/2	Y
	Non-Combustible Boards (set only)		2108-030	
	Refractory Assembly	Qty 2 req	SRV2290-070	
	Top Panel Inside		2086-127	
	Touch Up Paint	Exterior	SRV2087-999-A12	
		Interior	TUP-GBK-12	
	Trim Kit, Black		TL-TRIM-BK	
	Cover Panel		2368-114	
	Deflector Panel		2086-136MBK	
	Flashing		2087-159	
	Hood-Exterior Side		2086-113MBK	
	Outdoor Surround		2086-130MBK	
	Wind Screen Assembly		2086-004MBK	
<b>Media</b>				
	Media, Black Glass Rock		MEDIA-BLACK-20	
	Media, Amber Glass Rock		MEDIA-AMBER-20	
	21 LB Crystal Media Kit		MEDIA-CRYSTAL21	
<b>Conversion Kits</b>				
	Conversion Kit NG		NGK-TWI-MOD	Y
	Conversion Kit LP		LPK-TWI-MOD	Y
	Pilot Orifice NG		593-528	Y
	Pilot Orifice LP		593-527	Y
	Regulator NG		NGK-DXF	Y
	Regulator LP		LPK-DXF	Y