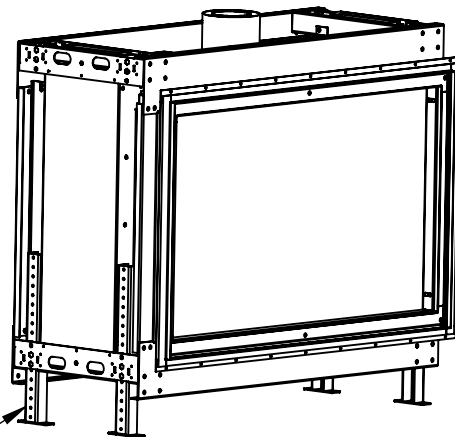
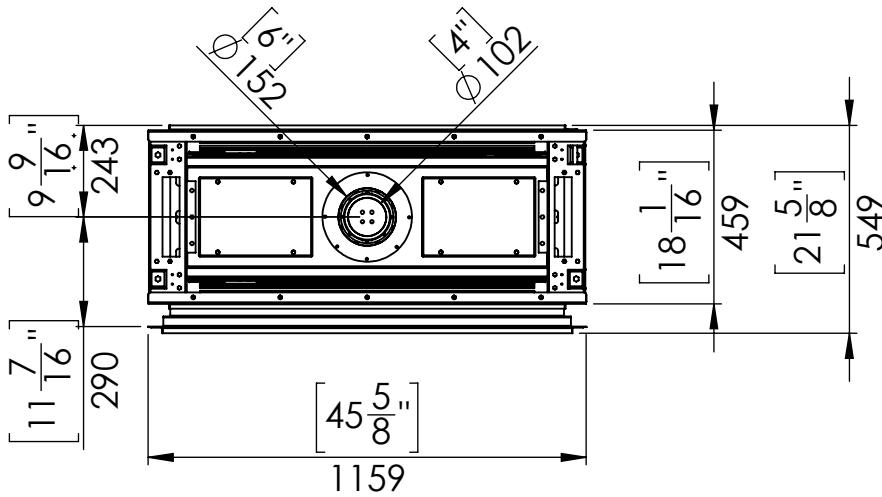
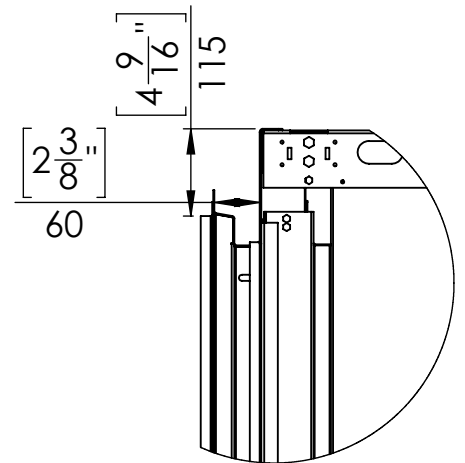
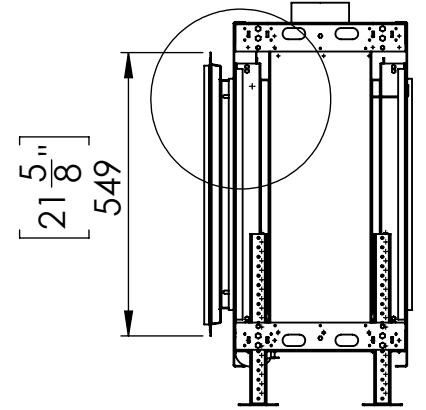
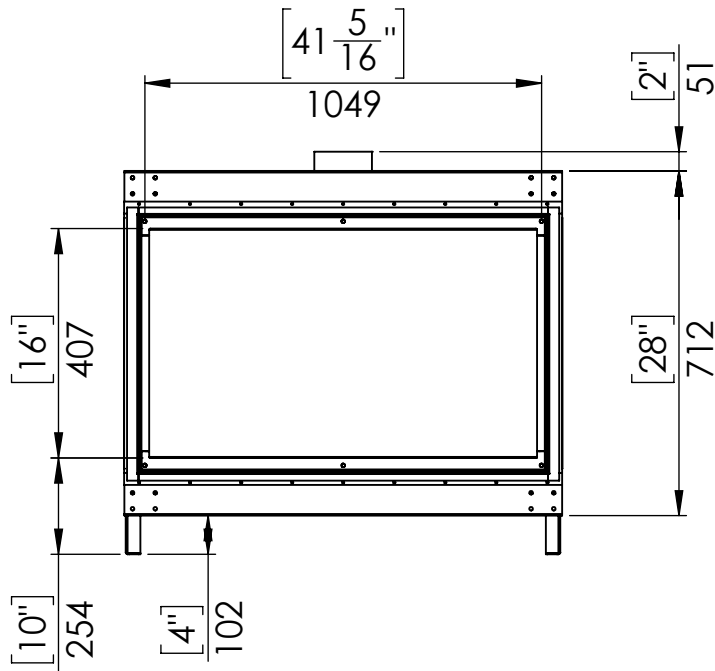


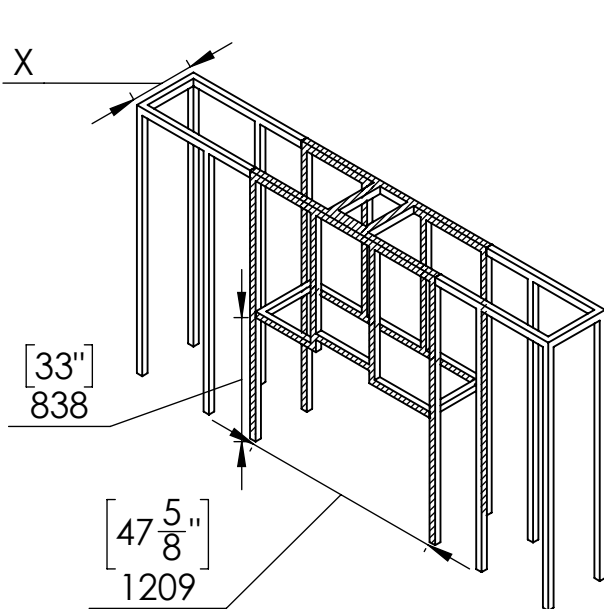
FLARE See Through 45 Outdoor



Telescopic legs ranges (from bottom of glass): 10"-19"

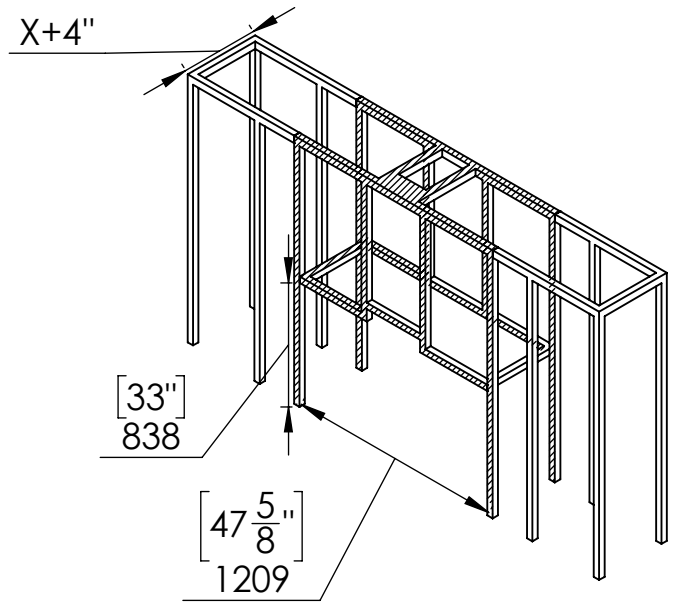
Flat installtion - option 1

Metal studs **surrounding all sides** of Fireplace



▨ Metal stud

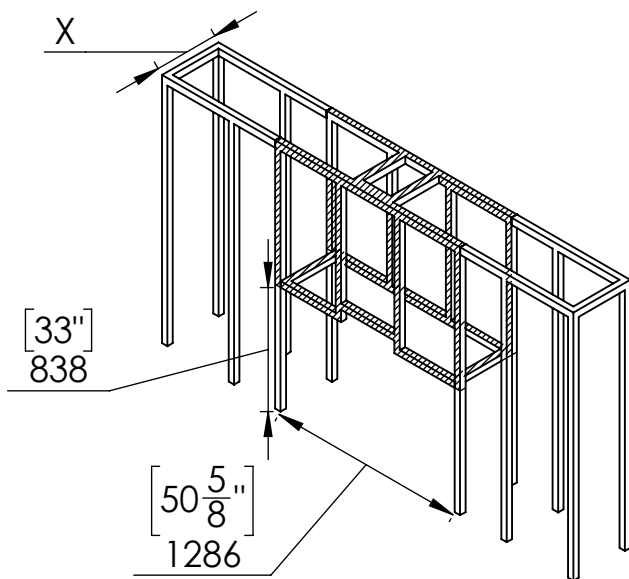
Recess installtion - option 1



▨ Metal stud

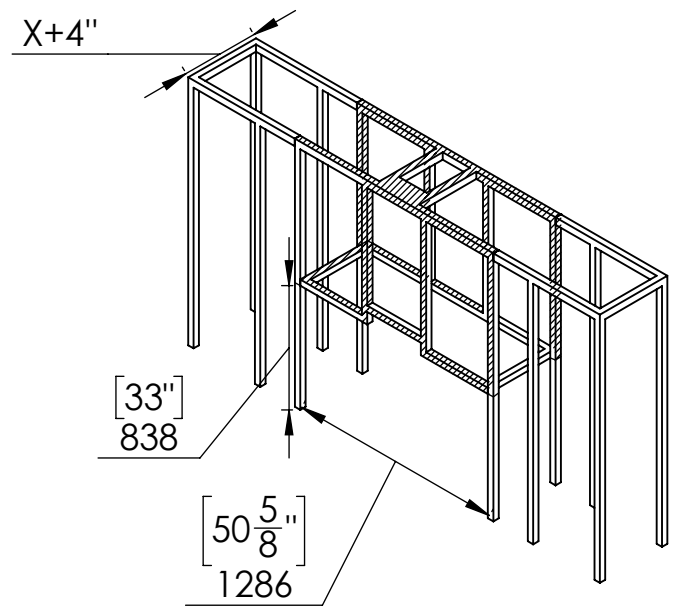
Flat installtion - option 2

Metal studs **above** the Fireplace **only**



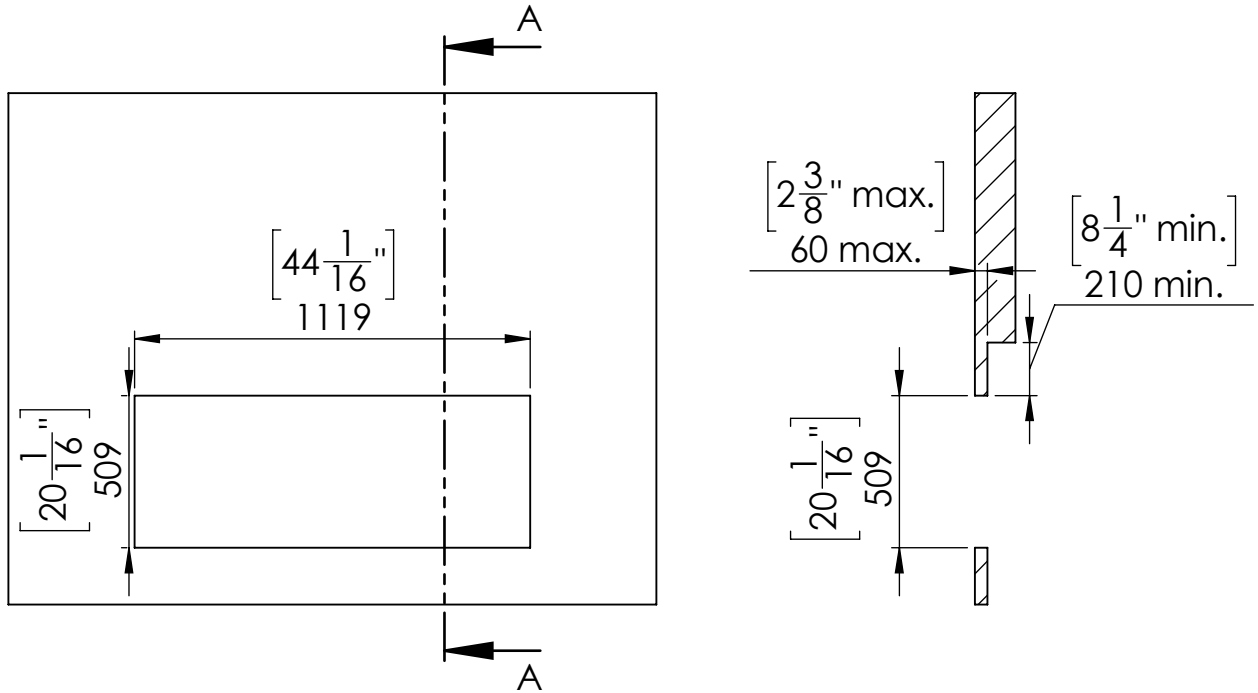
▨ Metal stud
□ Coverd Wood stud

Recess installtion - option 2

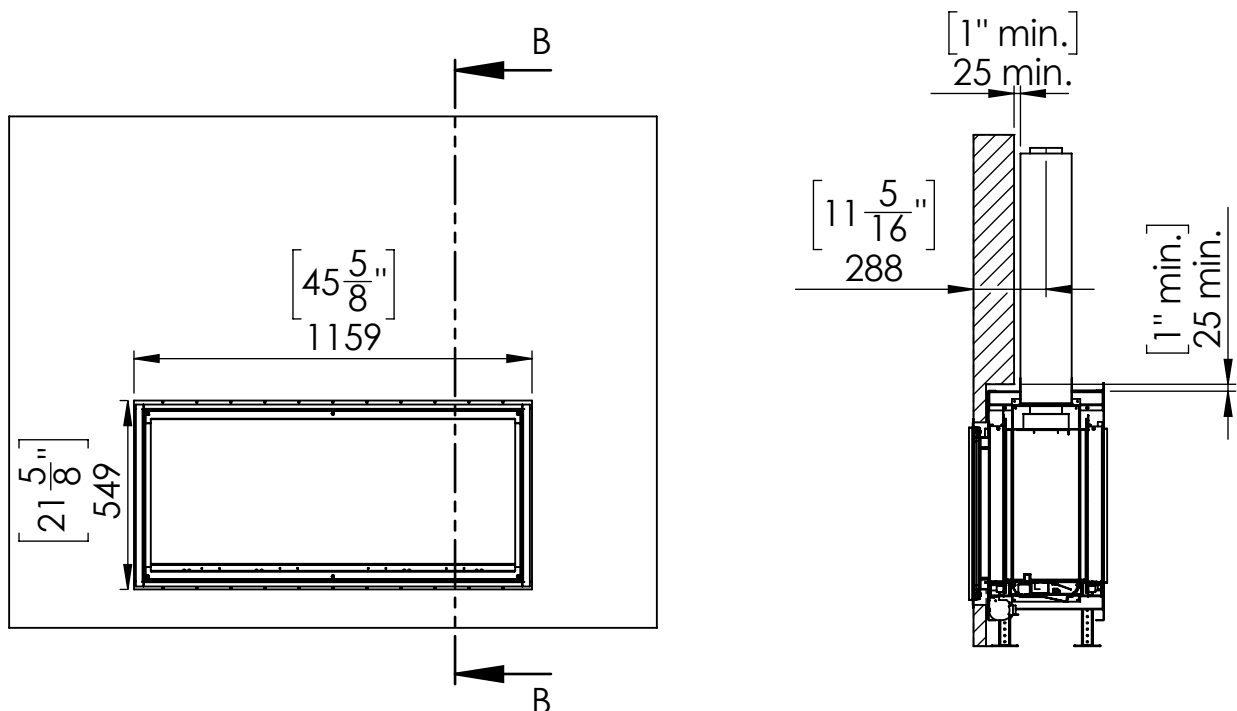


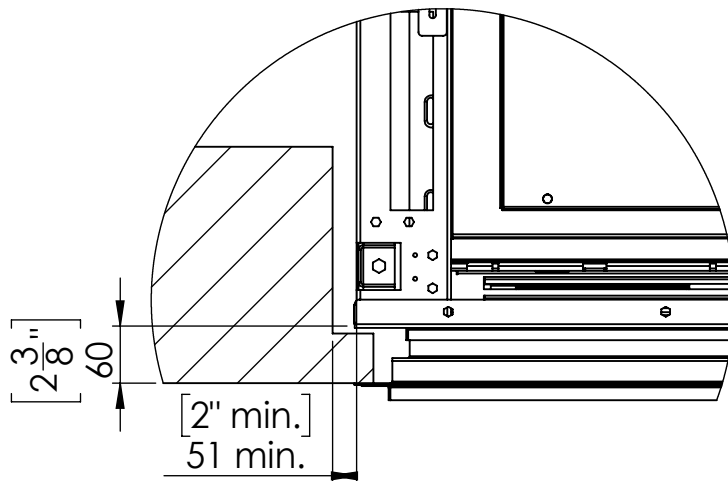
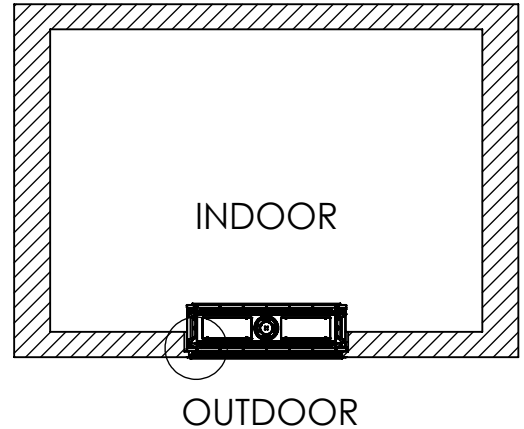
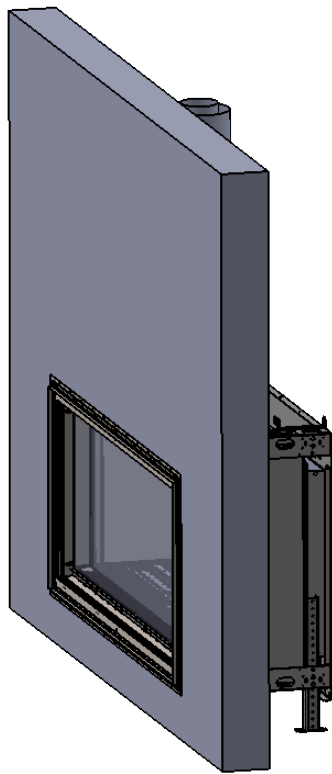
▨ Metal stud
□ Coverd Wood stud

External Cement Board Opening



Outdoor Kit - External Frame





Specifications for Appliance Flare See Through 45

Factor	NG	LPG
Burner Type	80	80
Orifice	1000	260
BTU Max.	36800	26300
BTU min.	22000	17750
Kw/h	10.8k	7.7k
Chimney DIA.	4x6	4x6
Manifold Pressure[w.c]	4.7	10.4
Efficiency rate	78	82
Glass Size Length\Width	1100.5 X 420 mm	43" 5/16 X 16" 8/16'
Appliance Weigh	120Kg	264lb