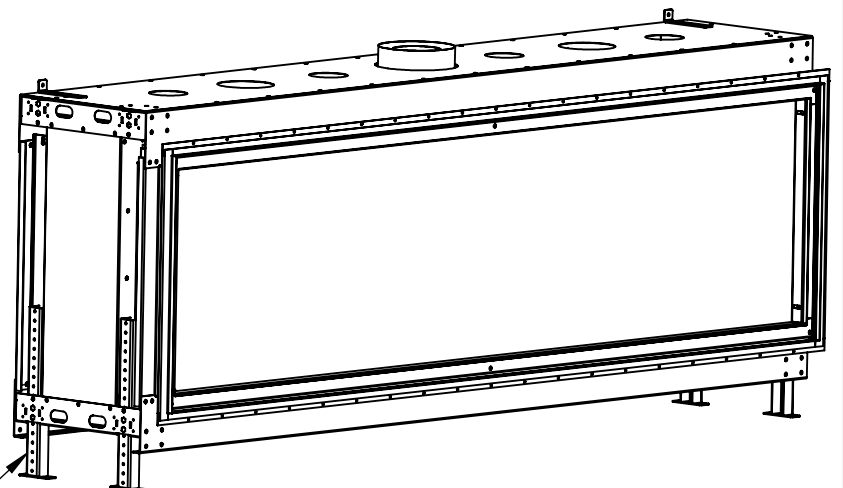
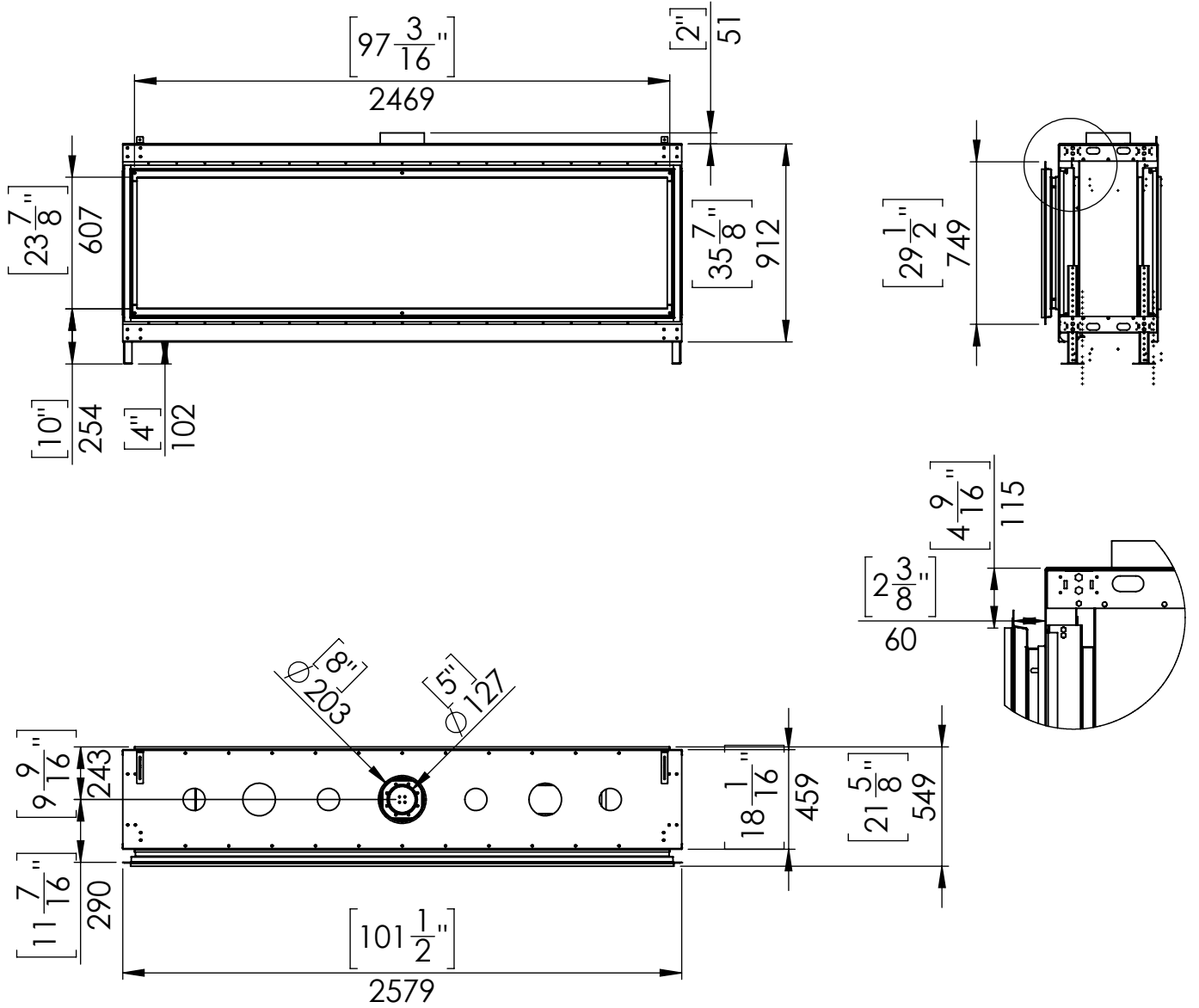


FLARE See Through 100H Outdoor

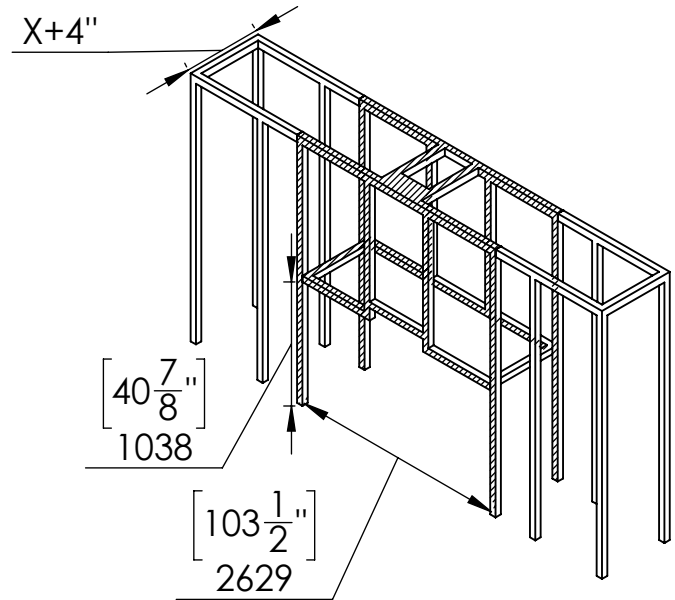
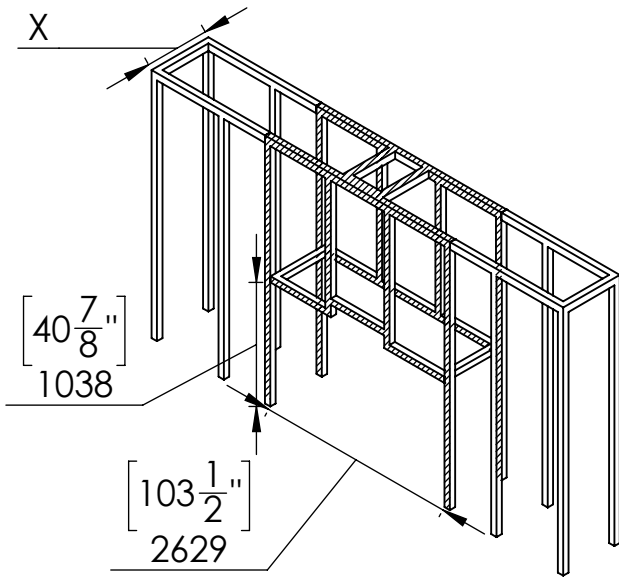


Telescopic legs ranges (from bottom of glass): 10"-19"

Flat installtion - option 1

Recess installtion - option 1

Metal studs **surrounding all sides** of Fireplace



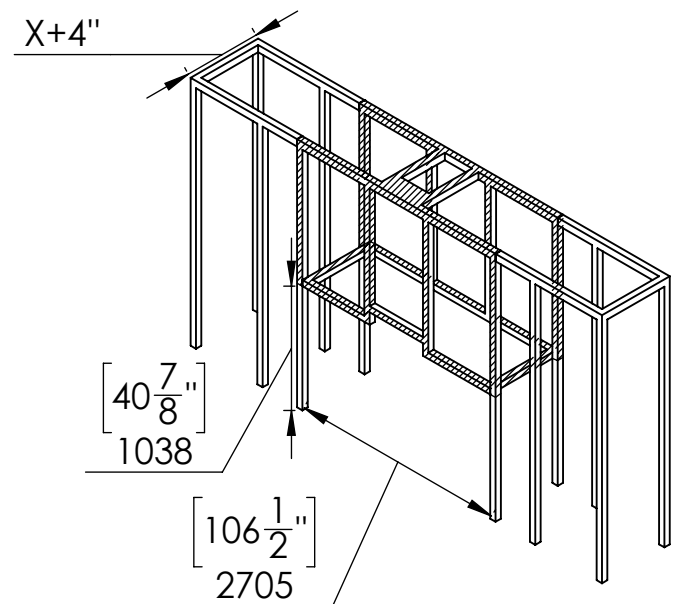
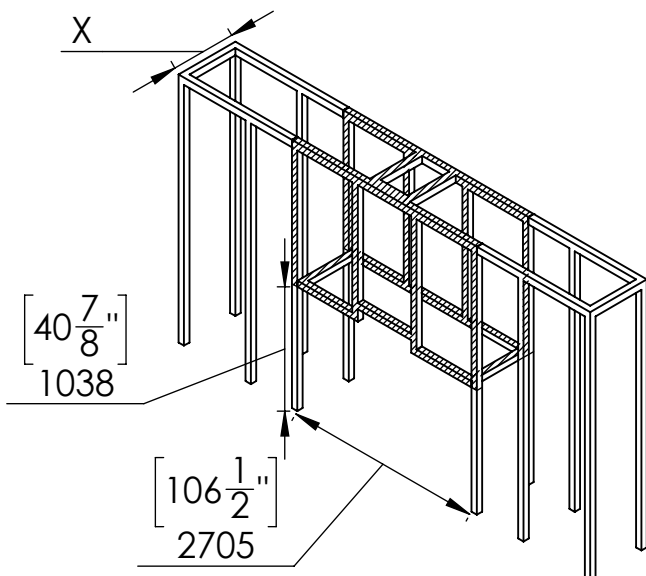
 Metal stud


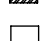
 Metal stud


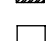
Flat installtion - option 2

Recess installtion - option 2

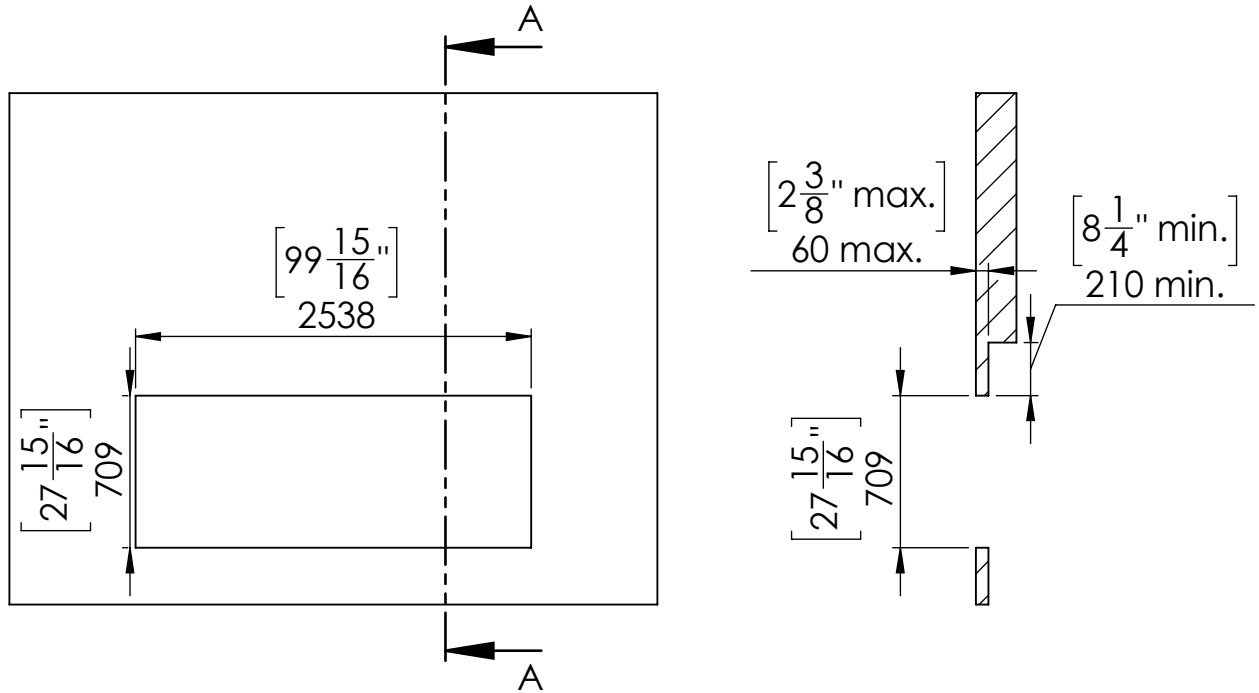
Metal studs **above** the Fireplace **only**



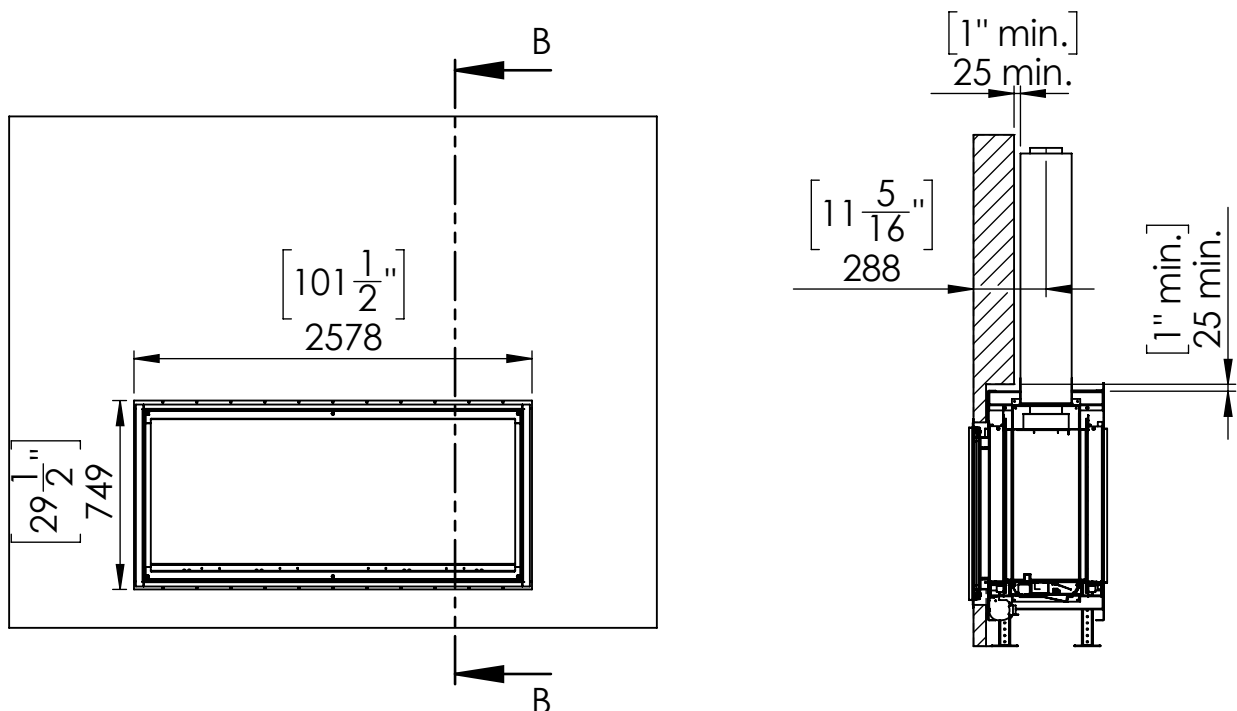
 Metal stud
 Coverd Wood stud

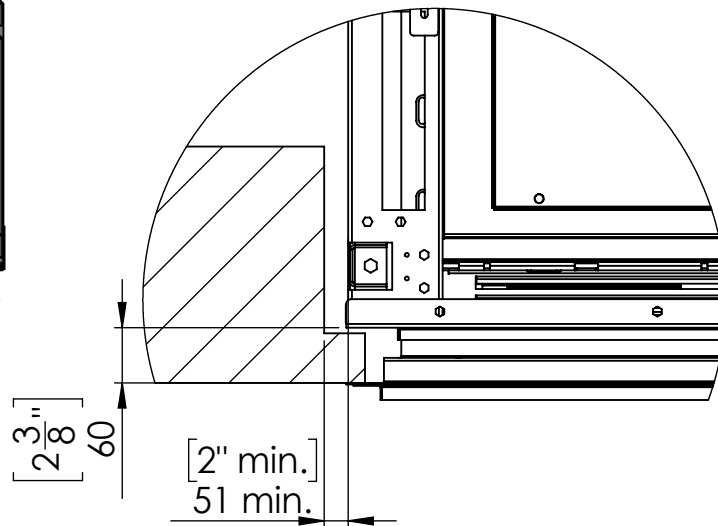
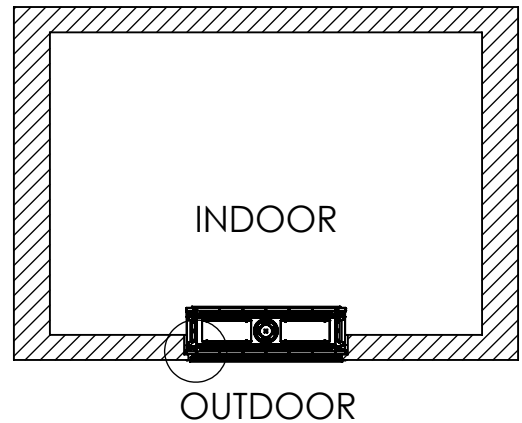
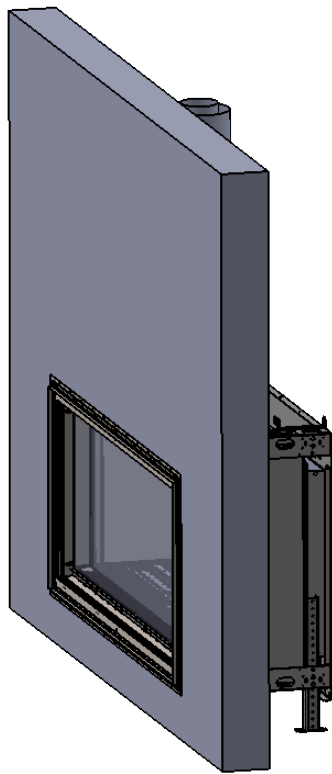
 Metal stud
 Coverd Wood stud

External Cement Board Opening



Outdoor Kit - External Frame





Specifications for Appliance Flare See Through 100

Factor	NG	LPG
Burner Type	55,105,55	55,105,55
Orifice	550,1200,550	180,260,180
BTU Max.	60000	60000
BTU min.	32500	25500
Kw/h	17.5k	17.5k
Chimney DIA.	5X8	5X8
Manifold Pressure[w.c]	4.4	7.4
Efficiency rate	81	76
Glass Size Length\Width	2520.5 X 620 mm	99" 1/4 X 24" 7/16'
Appliance Weigh	280Kg	617lb