

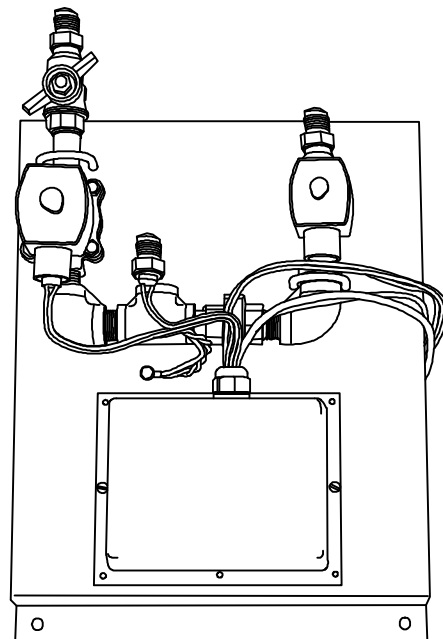
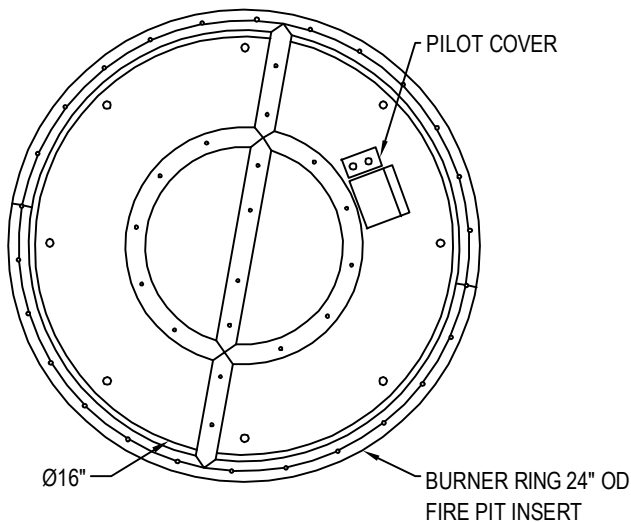


GRAND EFFECTS
23121 Arroyo Vista Suite B
Rancho Santa Margarita, CA 92688
PHONE: (949) 697-5270
FAX: (949) 625-8027
www.grandeffectsinc.com

SELECT DESIRED OPERATION:

AUTOMATION OPERATION

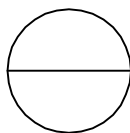
MANUAL OPERATION



SUB PANEL

NOTES:

1. OUTPUT: 200,000 BTU/HR
2. INSTALLATION TO BE COMPLETED IN ACCORDANCE WITH MANUFACTURER'S SPECIFICATIONS.
3. DO NOT SCALE DRAWING.
4. THIS DRAWING IS INTENDED FOR USE BY ARCHITECTS, ENGINEERS, CONTRACTORS, CONSULTANTS AND DESIGN PROFESSIONALS FOR PLANNING PURPOSES ONLY. THIS DRAWING MAY NOT BE USED FOR CONSTRUCTION.
5. ALL INFORMATION CONTAINED HEREIN WAS CURRENT AT THE TIME OF DEVELOPMENT BUT MUST BE REVIEWED AND APPROVED BY THE PRODUCT MANUFACTURER TO BE CONSIDERED ACCURATE.
6. CONTRACTOR'S NOTE: FOR PRODUCT AND COMPANY INFORMATION VISIT www.CADdetails.com/info AND ENTER REFERENCE NUMBER 4903-052.



FIRE PIT BURNERS

24" BURNER ASSEMBLY FIRE PIT INSERT